

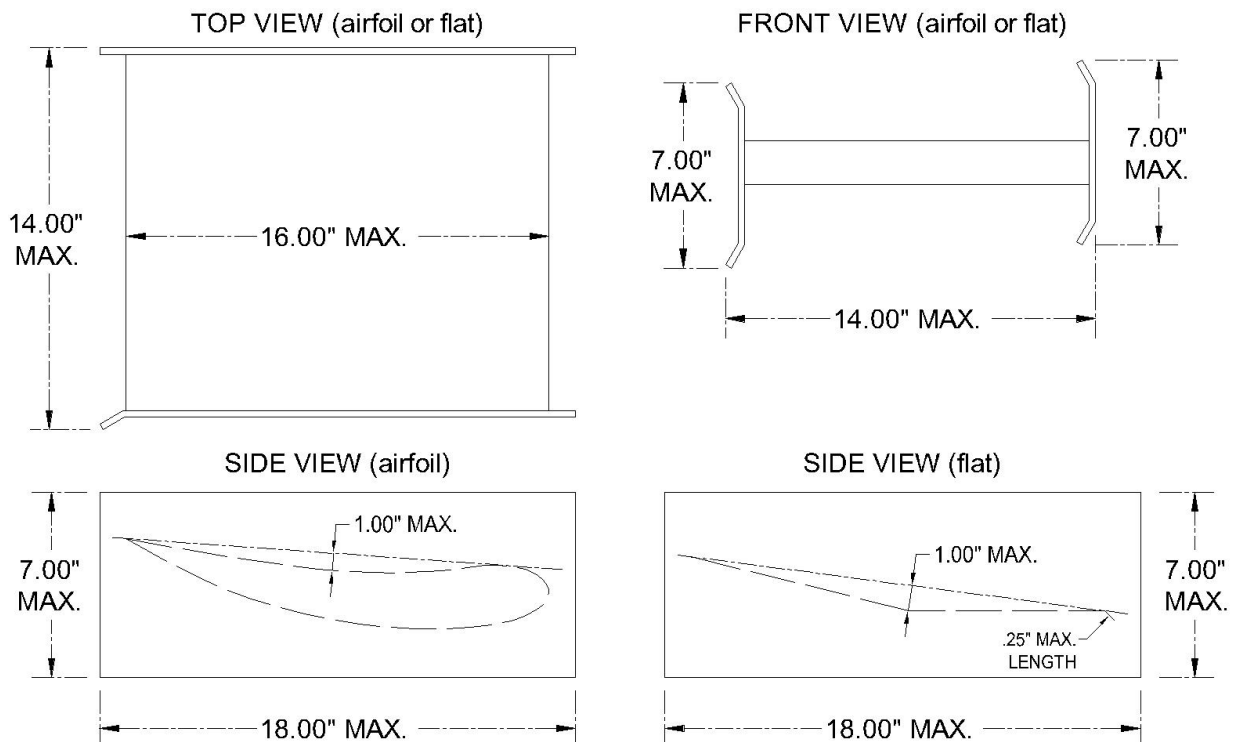
BODY & WINGS

Note: The following rules apply to both asphalt and dirt Sprint Cars.

TOP WING:

- a) The top wing may be an Airfoil style wing. The air foil wing may not have a curve that causes the distance from the front of the wing to the rear of the wing to have a gap at the widest point of more than 1.00" (see diagram below) The lowest point of the midsection of the wing must have a minimum of 1.50" gap from the top frame rail. For dirt track sprint cars, the overall measurements for the top wing MAY BE up to 15" max x 15" max.
- b) The top wing may be a flat/Lexan style wing with only ONE main bend in it. The flat/Lexan wing may not have a bend that causes the distance from the front of the wing to the rear of the wing to have a gap at the widest point of more than 1.00". The flat/Lexan style wing may have a downward bend on the leading edge for strength, the bend may not be more than .25" back from the leading edge of wing. The lowest point of the midsection of the wing must have a minimum of 1.50" gap from the top frame rail. For dirt track sprint cars, the overall measurements for the top wing MAY BE up to 15" max x 15" max. *NOTE: an additional strengthening bend of a .25" at the front of the wing is considered in overall length, but should NOT be included for the measurement of overall 1.50" gap; please refer to diagram below for visual clarification.*

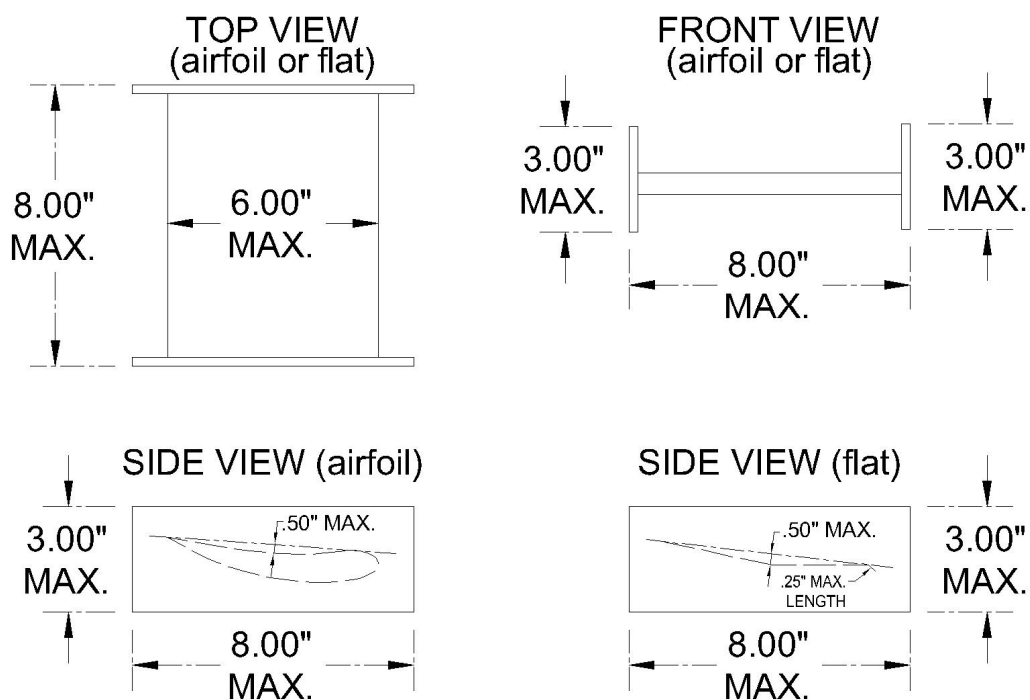
TOP WING



FRONT WING:

- a) The front wing may be an Airfoil style wing. The air foil wing may not have a curve that causes the distance from the front of the wing to the rear of the wing to have a gap at the widest point of more than .50". The front wing side boards must have a separation from the body side panels a min .125" inside or outside of frame rails. (Meaning the wing must be wider or skinnier than the frame rails) The front wing may be angled, as long as the bottom of the side boards are a minimum of .50" from the frame rails or body, whichever is closest. The lowest part of the midsection of the front wing must be mounted at least 1.50" from chassis/body.
- b) The front wing may be a flat/Lexan style wing with only ONE main bend in it. The flat/Lexan wing may not have a bend that causes the distance from the front of the wing to the rear of the wing to have a gap at the widest point of more than .50". The flat/Lexan style wing may have a downward bend on the leading edge for strength, the bend may not be more than .25" back from the leading edge of wing. The front wing must have a separation from the body side panels a min .125" inch inside or outside of the frame rails. (Meaning the wing must be wider or skinnier than the frame rails) The front wing may be angled, as long as the bottom of the side boards are a minimum of .50" from the frame rails or body, whichever is closest. The lowest part of the midsection of the front wing must be mounted at least 1.5" from chassis/body. *NOTE: an additional strengthening bend of a .25" at the front of the wing is considered in overall length, but should NOT be included for the measurement of overall .50" gap; please refer to diagram below for visual clarification.*

FRONT WING



WICKER BILL:

A Wicker Bill is allowed on both top and front wings but must be separate from the wing and detachable via tape or bolts. Wickers may be constructed from any material as long as it is at a 90° angle not to exceed .50" in any direction as measured from the outside of the angle. Wickers are to be mounted on top of the wing flush with the trailing edge and maintain a 90° angle relative to the trailing edge of the wing. The Wicker Bill is NOT to be included in the overall 1.00" dimension on the top wing, nor the .50" dimension on the front wing.

BODY:

- 1) The body side panels may not exceed .250" past any part of the outside parameter of the chassis. This also includes any bends that may extend past the chassis or away from the sides. The only exception would be the addition of a belt/gear guard for dirt track racing only.
- 2) No additional air dams/diffusers or various aerodynamic devices allowed that don't follow the above wing and side panel rules.
- 3) The existing SRP Vacuum Formed side panels are allowed.

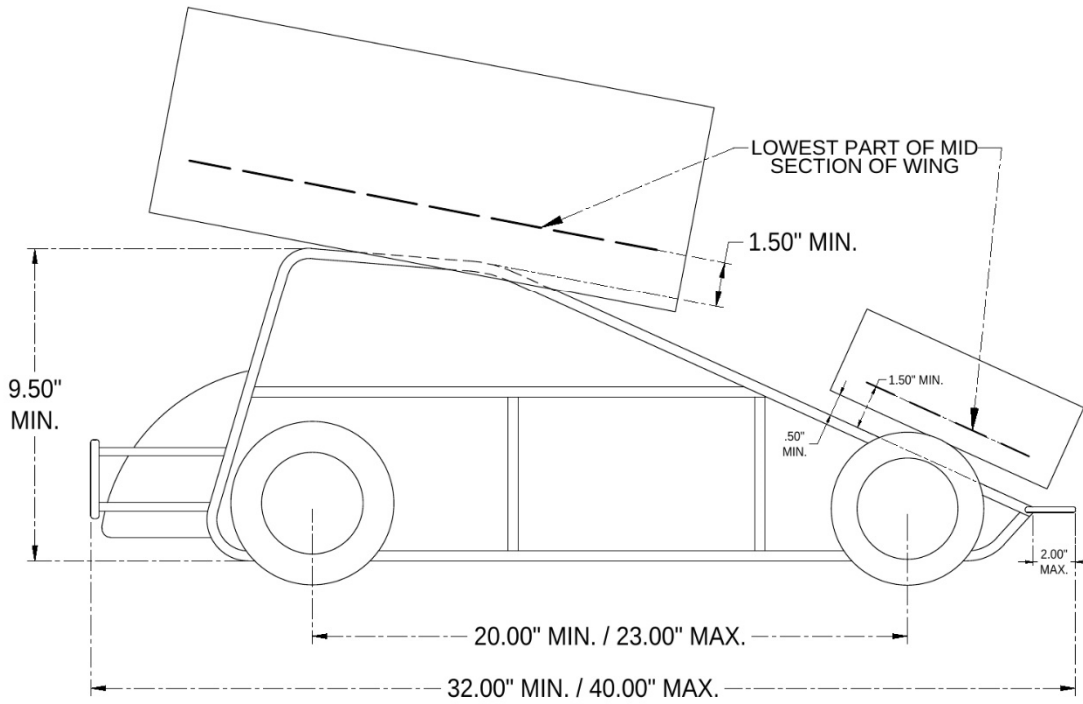
FRONT NOSE PIECE:

- 1) A Front Nose Piece may be used. The Nose piece may only have one bend in it, in the downward direction, the sides may be bent down to stay within the chassis side rails. The nose piece may not extend more than 2.00" past the front of the chassis, same as the front bumper. (meaning nothing more than 2" in front of chassis) The front nose piece can not be integrated in any way with the front wing.

AXLE: (to be added to the Suspension & Drivetrain section)

- 1) A solid 1-piece rear axle from hub to hub. Only exclusion being if the differential or one-way bearing rule is being followed. No Camber allowed.

HEIGHT - WHEELBASE - LENGTH



TRACK WIDTH

