



QUARTER SCALE AUTO CLUB, Inc.

Website <http://www.qsac.org>



OFFICIAL 2024 QSAC RULES PACKAGE

Copyright © 2003-2024 [QSAC, Inc.] All rights reserved.
Other products and companies referred to herein are trademarks
or registered trademarks of their respective companies or mark holders

1. QSAC STATEMENT	3
2. TECHNICAL COMPLIANCE RESPONSIBILITY	3
3. SAFETY REQUIREMENTS	3
3. SAFETY REQUIREMENTS - CONTINUED	4
4. GENERAL REQUIREMENTS	4
5. TRACK SANCTIONING AND CONSTRUCTION REQUIREMENTS	4
6. RACE DAY SCHEDULE OF EVENTS	5
7. RACE FORMATS – PROCEDURES	9
8. GENERAL SPECIFICATIONS	11
8.3. ALLOWABLE ENGINE CHANGES	12
8.4. ENGINE TECHNICAL INSPECTION	13
8.5. EXHAUST	14
8.6. CARBURETOR	14
8.7. TECH TOOLS	14
8.14. IMPACT PARTS	16
8.15. GENERAL SHOCK/DAMPER DESIGN RULES	16
8.16. TIRES AND WHEELS	17
8.17. BODY DIMENSIONS	18
9. GRAND NATIONAL – CLASS SPECIFICATIONS	19
10. SPORTSMAN – CLASS SPECIFICATIONS	20
11. LIMITED SPORTSMAN – CLASS SPECIFICATIONS	20
12. SUPER-TRUCK – CLASS SPECIFICATIONS	20
13. EAST COAST MODIFIED (ECM) – CLASS SPECIFICATIONS	21
14. SPRINT CAR – CLASS SPECIFICATIONS	22
15. 305 SPRINT CAR – CLASS SPECIFICATIONS	26

Welcome to the OFFICIAL 2024 QSAC RULES PACKAGE

1. QSAC STATEMENT

- 1.1. Any rule change (s) submitted by any QSAC Official or Committee that may directly affect the MANUFACTURED PART of a QSAC approved manufacturer (s), must be presented in writing to the Manufacturer's Advisory Committee Chairman for evaluation. Such proposed rule amendments shall be voted on by all of the QSAC approved manufacturers in a timely manner. The Manufacturer's Advisory Committee Chairman will present their recommendation (s) to the QSAC Official or Committee. The QSAC Co-Chairs and the Manufacturer's Advisory Committee Chairman shall work closely together to determine which proposed rules should be submitted for evaluation.
- 1.2. We are recommending no changes be made to the 2024 QSAC Rulebook until January 1st, 2025. The only exceptions to this would be that existing rules need to be clarified and a manufacturer product name and/or model number changes beyond our control. It is the intent of the QSAC leadership team to provide the membership with a stable set of rules for the next two years and beyond. In 2025, the rules will be revisited, but it is our belief that stable and consistent rules is a benefit to the membership and helps position QSAC for future growth.

2. TECHNICAL COMPLIANCE RESPONSIBILITY

- 2.1. It is the responsibility of each driver to insure his/her Quarter-Scale Race car is in total compliance with all applicable QSAC Rules. This means Safety, General and Technical Specifications as defined herein. It is important that each competitor read and understands all of the rules as they apply to safety, race format, driver-conduct, and technical specifications. Ignorance of the Rules is not a defense for violation of them. Failure to comply may result in immediate disqualification, loss of points for the event and further action as deemed necessary by QSAC.

3. SAFETY REQUIREMENTS

- 3.1. All drivers, officials, and pit crew members/mechanics must be current members of QSAC to enter the track, hot pit or paddock.
- 3.2. The QSAC membership-insurance card or receipt of application must be displayed at all times during the racing event and must be presented when signing in.
- 3.3. Race promoters/Track owners must be able to show proof of QSAC track site insurance.
- 3.4. There must be at least two readily accessible dry-chemical "BC" fire extinguishers of not less than 1 gallon capacity, located at each end of the hot-pits.
- 3.5. The track perimeter will have a minimum 3-foot high retaining wall or barrier capable of stopping the cars without penetration. Spectators must be kept at least 4 feet behind this 3-foot wall.
- 3.6. The entrance and exit from the track must be protected to prevent cars from inadvertently leaving the racing surface in the direction of the pit or spectator areas.
- 3.7. Tracks must have a pit lane, separated and protected from the racing surface, for car service.
- 3.8. It is highly recommended that a catch fence be placed atop the "pit-wall" using fence fabric capable of rejecting a 1/4 scale car and that the "catch-fence" be a total of at least three feet including the pit-wall itself.
- 3.9. Tracks may be asphalt, concrete or dirt but must be free of standing water or debris that may be injurious if thrown by the cars.
- 3.10. No federally controlled substances are allowed anywhere on the premises of the entire track facility except for qualified prescription medication. "Qualified prescription medication" is defined as that prescribed by a medical physician and legal in all 50 states, and does NOT include marijuana, whether or not prescribed.
- 3.11. Spectator areas may allow alcohol only if that area is strictly separated from the track and pit areas. Any driver or pit crew drinking alcohol during racing activities will be disqualified. Repeated offenses will result in loss of membership. "Racing activities" are defined to include the awards ceremonies.
- 3.12. Only QSAC members may enter the "Hot Pit" or racing areas during race activities. A "Hot Pit" area is any location or area where a car's engine may be started while on ground. The "Hot Pit" must be separated from the "Working Pit" by a 3-foot fence or wall. QSAC card must be carried and displayed.
- 3.13. There will be no smoking allowed in the "Hot Pit" area.
 - 3.13.1. This restriction includes any and all forms of following items: tobacco, vaporizer, e-cigarette, electronic smoking device, or marijuana (see line item 3.10).
- 3.14. Firearms are specifically prohibited on any person during any QSAC event.
- 3.15. No one will be allowed inside the 3-foot retaining wall while the cars are under the green flag.
- 3.16. Pit crew or turn marshals may enter only after the red flag is displayed and the cars have slowed to idle or stopped.
- 3.17. QSAC encourages that a carburetor return-spring be utilized to force throttle-closure in the event of certain electrical or electronics failures.
- 3.18. No car will be permitted on the track with a leaking fuel system.
- 3.19. Refueling containers will be closable and marked to alert others of their contents.
- 3.20. All races will require a Race Director who will see that all drivers, pit crew and spectators are safely positioned while the cars are on the track.
- 3.21. The race activities must always display the maximum safety for spectators, drivers, officials, etc.

3. SAFETY REQUIREMENTS - CONTINUED

3.22. Members and/or tracks that fail to abide by or violate QSAC insurance policy guidelines may face disqualification and/or suspension of membership or track sanction. The appropriate penalty will be determined by the QSAC Co-Chairs.

4. GENERAL REQUIREMENTS

- 4.1. The race format, program of events and types of cars will be the race organizer's responsibility.
- 4.2. All QSAC sanctioned and insured events shall follow the QSAC format (see section 6. RACE DAY SCHEDULE OF EVENTS).
- 4.3. All drivers must register for the event prior to operating a car.
- 4.4. Any car not slowing for the yellow flag may be placed at the rear of the pack, or in the case of repeat offenses, black flagged and removed from the track for the duration of that race.
- 4.5. Disabled cars will be taken off the track for repair.
 - 4.5.1. No repair work will be allowed on the track or infield while the cars are running, except for the re-placement of a lost wing or dislodged drive belt.
- 4.6. QSAC or track official may deem a car or driver a hazard and order the car retired from the race.
- 4.7. Cars may only be driven from the designated driver area.
- 4.8. No driver may leave the driver's stand to retrieve a disabled car from the track surface.
 - 4.8.1. Only pit crew or track personnel may retrieve disabled cars.
 - 4.8.2. One noted exception: a sprint car driver is allowed to leave the driver's stand to re-place their dislodged wing(s).
- 4.9. All cars must have an operational clutch and brake that will allow the car to stop with the engine running and proceed when requested by tech officials.
- 4.10. Before the start of the race, all cars will be required to do a brake check.
 - 4.10.1. Cars without brakes will **NOT** be allowed to race.
- 4.11. All cars shall have front and rear bumpers. See Class rules.
 - 4.11.1. Any bumper considered a hazard by tech officials should be corrected before the race car shall compete.
- 4.12. No aircraft frequencies will be permitted.
- 4.13. Radios or modules that use 2.4 GHz frequencies will be permitted.
- 4.14. Telemetry modules will **NOT** be permitted.
- 4.15. The Spectrum Lap Timing System is legal.
- 4.16. Radio impounds may be implemented at the race organizer's discretion.
 - 4.16.1. The impounding of radios will be optional at all Region, District, and National Championship Events.
- 4.17. Personal transponder mounting location requirements.
 - 4.17.1. Transponder should be mounted as low as possible in the car.
 - 4.17.2. The transponder must be mounted behind the centerline of the front wheels and in front of the engine.

5. TRACK SANCTIONING AND CONSTRUCTION REQUIREMENTS

- 5.1. Track must at all times follow all SAFETY REQUIREMENTS set forth by QSAC.
- 5.2. Track must be operated in a manner that is considered fair and equitable within reason at all times.
- 5.3. Track must also operate in a manner that is conducive to a family atmosphere.
- 5.4. Track must agree to operate under QSAC rules at all QSAC sanctioned Region, District, or National events.
 - 5.4.1. There is no allowance for rule deviation unless authorized by an Area Director, Region Director, District Director, QSAC Competition Committee Chairman, or QSAC Co-Chair.
- 5.5. If more than four written complaints by current QSAC members are received in one year concerning a particular track, then that track will come under review by QSAC Competition committee and may lose sanctioning and forfeit all fees paid.
- 5.6. QSAC reserves the right to cancel sanctioning at any time, but must be by a majority vote from the QSAC Committee Chairmen.
- 5.7. Track must submit photos of safety measures to be reviewed by the Competition Committee Chairman when applying for sanctioning.
- 5.8. Tracks that use temporary retaining walls (example: parking lot track), must meet the following requirements based on their length.
 - 5.8.1. If the track is less than 200 feet, measured on inside of the track, a minimum 24" retaining wall height is required.
 - 5.8.2. If the track is more than 200 feet, measured on the inside of the track, a minimum 36" retaining wall height is required.
- 5.9. It is strongly recommended that each track provide a fenced extension to the top of the pit-wall for the protection of the crews in the hot-pit. Such extension should bring the total height of the pit wall to at least 3 ft.
- 5.10. Tracks may be asphalt, concrete or dirt and the configuration may be road course or oval.
- 5.11. Tracks must have a pit lane, separated and protected from the racing surface, for car service.
- 5.12. The annual track sanctioning fee is \$50.00.
 - 5.12.1. For single day events the track sanctioning fee is \$30.00.
 - 5.12.2. The single day event fee does **NOT** apply towards District or National events.
- 5.13. Sanctioning requires pictures of the track, the surrounding grounds, and a written description of fencing and safety equipment.
- 5.14. All tracks or facilities **MUST** have their own sanction purchased by April 1st of the current year if they you want to be considered for a National Championship race for the following year. (Excluding new tracks, New owners, or act of God)

6. RACE DAY SCHEDULE OF EVENTS

6.1. OVERVIEW

- 6.1.1. QSAC sanctioned oval track races shall follow the official race format outlined below to insure consistent and safe racing throughout the country.
- 6.1.2. Major deviations from this format must be cleared with QSAC with respect to safety.
- 6.1.3. Local events, non-Championship, or Regional events that do not expect to draw competitors from other areas or regions may deviate from the race format and general rules.
- 6.1.4. Deviations from section **3. SAFETY REQUIREMENTS** are **NOT** allowed.
- 6.1.5. Failure to comply with the Safety Requirements may lead to cancellation of track sanction and insurance.

6.2. SIGN-IN AND REGISTRATION

- 6.2.1. All competitors must sign-in and register to show proof of QSAC membership and insurance **BEFORE** they are allowed on the track.
- 6.2.2. QSAC Membership Card must be worn in plain sight at all times during the event.

6.3. PRACTICE

- 6.3.1. "Controlled" practice must be available on race day to all the drivers and cars in the day's program.
- 6.3.2. Each class of cars will be allowed to practice for a specific length of time (example: a 15 - 20 minute session) then alternated with another class.
- 6.3.3. At least 2 rotations of practice are advised and more if time permits.
- 6.3.4. No more than 10 cars on the track at a time.
- 6.3.5. Each driver may return to the track as many times as he or she wish within a session provided they don't prevent others from equal track time.
- 6.3.6. Each car and driver practicing must have signed up and paid their entry fee prior to race day practice.

6.4. DRIVER'S MEETING

- 6.4.1. Prior to each day's events, the track officials shall conduct a meeting of drivers and pit crews for explanation and discussion of the day's events, local ground rules, specific event regulations and rules clarifications.
- 6.4.2. All drivers, their pit crews and race officials are required to attend.
- 6.4.3. It is each driver's responsibility to see that he and his crew are present.
- 6.4.4. Failure to comply may result in penalty to the driver.

6.5. BEST OF SHOW

- 6.5.1. Best of Show is the judging and awarding of the best appearing car in each class.
- 6.5.2. It will be based upon authenticity, beauty and color, cleanliness, design and attention to detail.
- 6.5.3. Judging will be the responsibility of the race promoter or his designate.
- 6.5.4. Best of Show bodies **NEED NOT BE RACED**, but each body is eligible to win one Best of Show competition only.

6.6. PRE-RACE TECH INSPECTION

- 6.6.1. At all Region Point-Series, Region Championship, District and National events, all cars must go through a pre-race tech inspection to ensure compliance to QSAC rules and technical specifications.
- 6.6.2. Each car will be weighed, measured and visually scrutinized for compliance prior to taking the track.
- 6.6.3. Each car passing tech will receive a sticker.
- 6.6.4. No car will race without tech sticker.
- 6.6.5. Any car not in compliance with the rules will be given ample opportunity to correct the problem.
- 6.6.6. It is suggested that pre-race tech inspection be used at local/weekly events on a periodic basis to ensure rules compliance.

6.7. PILL DRAW OR SINGLE CAR QUALIFYING

- 6.7.1. Local tracks and clubs may decide to use either qualifying method and may determine how the heat races will start, either straight-up or inverted.
- 6.7.2. **PILL DRAW / RANDOM SORT**
 - 6.7.2.1. The track owner/promoter must provide a Pill-Draw capability consisting of a set of "pills" numbering at least 1-50.
 - 6.7.2.2. Draw per class must include only the number of pills to equal the number of cars entered in the class. (E.G. 20 GN's = pills 1-20 for draw).
 - 6.7.2.3. In addition, at weekly races, track officials may choose to use the "RANDOM SORT" option available in some computer-scoring systems.
- 6.7.3. **TIMED QUALIFYING SESSION - FAST LAP QUALIFYING**
 - 6.7.3.1. Qualifying will be per class and a timed session.
 - 6.7.3.2. During each class' timed session, the racers may enter the track at any time for any length of time they desire, they may also re-enter the track at any time during their classes' time.
 - 6.7.3.3. In the event of too many entries to allow for ample time for all class entries to get equal opportunity, the Race Director will divide the class by random draw and then those drivers will have a timed session in which to qualify.
 - 6.7.3.4. The maximum length of time drivers will be allowed to set a qualifying time is 15 minutes.
 - 6.7.3.5. The duration for qualifying time will be announced in the drivers meeting.

6.8. NO DRIVER SUBSTITUTION

6.8.1. The driver **MUST** race the car he/she qualified.

6.8.1.1. NOTE: this means that one driver may not qualify the race car for another driver.

6.9. TROPHY DASHES

6.9.1. Should the race promoter elect to hold trophy dashes, they will consist of the four fastest cars in each class started inverted - fastest cars in the rear.

6.9.2. Trophy dash duration may be up to 10 laps.

6.10. HEAT RACES

6.10.1. Heat races will be lined up according to class and by each car's pill draw position or qualifying time as illustrated in the **PILL DRAW** chart below. A 24 car field is used as an example.

6.10.2. Each heat race round of a specific class must be completed before the next class's heats.

6.10.3. The **HEAT RACE DURATION** chart outlines the **SUGGESTED** number of laps for the various classes and heats.

6.10.3.1. Tracks should adjust lap counts for all heats, as needed.

PILL DRAW - (24 CARS SHOULD BE RUN IN FOUR 6-CAR HEATS)				
START POSITION	HEAT #1	HEAT #2	HEAT #3	HEAT #4
1	FASTEST QUALIFIER	2nd QUALIFIER	3rd QUALIFIER	4th QUALIFIER
2	5 th	6 th	7 th	8 th
3	9 th	10 th	11 th	12 th
4	13 th	14 th	15 th	16 th
5	17 th	18 th	19 th	20 th
6	21 st	22 nd	23 rd	24 th

HEAT RACE DURATION:	
EAST COAST MODIFIED (ECM)	30-50 LAPS
GRAND NATIONAL	30-50 LAPS
LIMITED SPORTSMAN	15-35 LAPS
SPORTSMAN	30-50 LAPS
360 SPRINT CAR and SPRINT CAR	15-35 LAPS
SUPER-TRUCK	30-50 LAPS

6.12. MAIN EVENT

6.12.1. A maximum of 10 cars will make up each main event.

6.12.1.1. The top 6 qualifying cars will automatically transfer into the "A" Main.

6.12.1.2. The remaining cars will be placed into the lower mains based on qualifying results.

6.12.2. The top 4 cars from the lowest main's results will "bump" into the next main.

6.12.2.1. The top 4 cars from the results of that main will then "bump" into the next main and so on through to the "B" main.

6.12.2.2. The top 4 finishers from the "B" main will make up starting positions 7 through 10 in the "A" Main.

6.12.3. It is the promoter's option at local and regional races to run one to three rounds of qualifying heat races.

6.12.3.1. If only one round of heat races is used because of weather, the cars transfer into the mains according to their finish from that heat race.

6.12.4. The number of heat race transfers to each main event is dependent on the number of heat races run. For example, if 14 cars are entered, two heat races of 7 cars each would be run.

6.12.4.1. The top 3 cars from each of the 2 heats would transfer into the "A" Main.

6.12.4.2. The remaining 8 cars would run in the "B" main with the top 4 finishers "bumping" into the "A" Main.

6.12.5. If more than one round of qualifying is run, a point system where first place earns 1 point, second place earns 2 points, third place earns 3 points and so on would be used.

6.12.5.1. The six drivers scoring the least points would automatically transfer into the "A" Main with the driver with the lowest total score winning the pole position.

6.12.5.2. Ties in points would be decided by qualifying times (or pill draw if used).

6.12. MAIN EVENT (CONTINUED)

6.12.6. The **MAIN DURATIONS** chart outlines the **SUGGESTED** number of laps for the various classes and mains.

6.12.6.1. Tracks should adjust lap counts for all mains, as needed.

MAIN DURATIONS (LOCAL & REGIONAL RACES)			
CLASS	A-MAIN	B-MAIN	C-MAIN & LOWER
EAST COAST MODIFIED (ECM)	100 - 150 LAPS	75 OR LESS LAPS	50 OR LESS LAPS
GRAND NATIONAL	100 - 150 LAPS	75 OR LESS LAPS	50 OR LESS LAPS
LIMITED SPORTSMAN	75 - 100 LAPS	50 OR LESS LAPS	35 OR LESS LAPS
SPORTSMAN	100 - 150 LAPS	75 OR LESS LAPS	50 OR LESS LAPS
360 SPRINT CAR and SPRINT CAR	75 - 100 LAPS	50 OR LESS LAPS	35 OR LESS LAPS
SUPER-TRUCK	100 - 150 LAPS	75 OR LESS LAPS	50 OR LESS LAPS

6.13. POST-RACE TECH INSPECTION

6.13.1. At all Region point series races, Region Championship races, District and National events, the top four A-Main finishing cars must be impounded and the top three must complete the post-race tech inspection before the race results can be made final.

6.13.1.1. The fourth-place car will be an alternate should one of the others be disqualified.

6.13.1.2. In the event, that all four impounded cars are disqualified, the fifth-place car will be declared the winner.

6.13.2. At the completion of each "A" Main, all the finishing cars must be stopped and remain on the track until the results are announced.

6.13.2.1. The drivers or pit crew will be allowed to shut off the engines but no other work is allowed.

6.13.3. The top four cars will be removed by the officials to a guarded impound where the top three cars will be reweighed, re-measured, and carefully checked for rules infraction.

6.13.4. One engine may be checked using the properly calibrated and certified instruments.

6.13.4.1. Each engine must be checked also for: visible signs of modification, carburetor bore size and carburetor-mounting block bore size.

6.13.4.1.1. Such inspection shall include measuring port heights, the cylinders will be removed and inspected, the crankcases split and inspected internally, and all other stipulations of the particular class.

6.13.4.2. First place in each class will undergo technical inspection.

6.13.4.2.1. If first place fails inspection, second place will then be inspected and so forth (see 6.13.1.2. for finishing place inspection limits).

6.13.4.3. The driver or his designate must perform all disassembly work under supervision of the QSAC National Tech Director or a QSAC designated tech inspection supervisor.

6.13.4.3.1. The track must provide an adequate setting for the post-race technical inspection.

6.13.4.3.2. In the event that post-race inspection finds a participant to be outside the rules, another of the top four cars will be chose for inspection.

6.13.5. Other than the QSAC National Championship, QSAC is **NOT** responsible for replacing gaskets or seals of engines that are tore down.

6.13.6. Any car found to be illegal would be disqualified from the event relinquishing any prize and/or points awards.

6.13.7. The QSAC National Tech Director or a QSAC designated tech inspection supervisor will impound any part of any engine found to be illegal due to the addition or removal of material.

6.13.7.1. An engine found to be altered, even though it may measure legal, will be disqualified and the altered parts will be confiscated and destroyed.

6.13.7.1.1. Examples: Cylinders with polished and/or enlarged and/or repositioned intake, exhaust, or transfer ports, sand or bead-blasted surfaces, or machined base, machined crankcases, altered or lightened flywheels, enlarged carburetor or mounting block bores etc.

6.13.8. It is suggested that post-race tech inspection be used at local/weekly races on a periodic basis to ensure rules compliance.

6.14. AWARDS

- 6.14.1. Following tech inspection, the race results will be declared official and the awards will be given out.
 - 6.14.1.1. Awards may be any or all of the following; local, weekly, and/or series races may award points, cash, trophies, or non-cash prizes but must award points according to the **QSAC POINTS SYSTEM** chart.
- 6.14.2. Region point series, Region championship races, District and National races must be advised to QSAC and the dates cleared by QSAC.
 - 6.14.2.1. Promoters will not be required to commit to a guaranteed (beyond an entry fee payout) purse.
 - 6.14.2.2. It will be left up to the promoter if they wish to have awards and/or a cash purse for Region Championship events.
- 6.14.3. Region Championships are to be promoted primarily for the benefit of the racers who have supported the races at tracks within their respective Region, whether Region Series Races or the weekly events at their local tracks.
 - 6.14.3.1. In order to be considered a true Region Championship, the events should be scheduled near the conclusion of the regular racing season, (E.G., the fall of the year).

QSAC POINTS SYSTEM			
- TROPHIES OR PLAQUES, CASH AWARDS, OR NON-CASH AWARDS, POINTS SYSTEM			
- POINTS AWARDS WILL FOLLOW THE QSAC POINT ALLOCATION SYSTEM			
FINISHING POSITION	POINTS	FINISHING POSITION	POINTS
1 st	100	11 th	90
2 nd	99	12 th	89
3 rd	98	13 th	88
4 th	97	14 th	87
5 th	96	15 th	86
6 th	95	16 th	85
7 th	94	17 th	84
8 th	93	18 th	83
9 th	92	19 th	82
10 th	91	20 th	81

6.15. OVERVIEW AND EXCEPTIONS

- 6.15.1. **PLEASE NOTE:** The entirety of Section 6, RACE DAY SCHEDULE OF EVENTS, is intended as a baseline race day format for quarter scale racing. For the QSAC National Championship race day formatting, please refer to the OFFICIAL QSAC PAVED NATIONAL CHAMPIONSHIP RACE FORMAT AND ITINERARY document for the given race year. The QSAC National Championship Race Format and Itinerary document is adjusted each year, as needed. Specific event details are adjusted based on time considerations and constraints, as well as pre-registration entry count.

7. RACE FORMATS – PROCEDURES

7.1. ENTRY FEES AND FUEL FEES

- 7.1.1. The following **ENTRY FEES AND FUEL FEES FOR QSAC SANCTIONED RACES** chart is a list of **SUGGESTED** entry fees and fuel fees.
- 7.1.1.1. Tracks should structure entry fees, as needed.
 - 7.1.1.2. Fuel fees should be adjusted to reflect current market pricing, as needed.
 - 7.1.1.3. It is common practice to offer a discount when a driver registers for multiple classes.

ENTRY FEES AND FUEL FEES FOR QSAC SANCTIONED RACES:	
LOCAL / WEEKLY RACES	\$20.00—\$50.00
REGION POINT SERIES RACES	1st Car—\$50.00 OR LESS
REGIONAL CHAMPIONSHIP	1st Car—\$50.00 OR LESS
SPECIAL EVENTS	1st Car—\$55.00 OR LESS
FUEL	\$15 OR LESS, PER ENTRY

7.2. RACE STARTS

- 7.2.1. Each race will have the Race Director who will control the race events.
- 7.2.1.1. The Race Director must have an assistant to help spot problems around the track and assist in car lineups, etc.
- 7.2.2. All cars must perform a brake check prior to the start of a heat race or main.
- 7.2.2.1. At the discretion of the Race Director, the brake check can be performed on the track or on pit lane.
- 7.2.3. The cars will be allowed five warm up laps before each race to warm up tires, engines, etc.
- 7.2.4. After warm up, the director will caution the cars to line up single file or in two lines, (promoter option) in the race lineup, at a slow pace.
- 7.2.5. When the cars are properly aligned, the green flag will be flown as the cars come off turn four.
- 7.2.6. The Race Director must also use a whistle or horn as an audio signal to the drivers of any change in flag situations.
- 7.2.7. There will be no inside passing after the green flag is displayed on starts until the cars have crossed the start/finish line.
- 7.2.7.1. Violation will result in the immediate display of the yellow flag, and the violator will be placed at the back of the field.
 - 7.2.7.2. Tracks opting for double file starts must allow position leeway between the two car lanes at the green flag.
 - 7.2.7.3. It is the Race Directors discretion if it was a clean start or not.

7.3. CAUTIONS

- 7.3.1. There will be a caution and use the audio signal for any car stopped on the track infield or outside perimeter of the track after allowing sufficient time for the car to resume under its own power.
- 7.3.1.1. If the car can continue, the use of a caution should be avoided.
 - 7.3.1.2. If a car is pointed in the wrong direction on the track a caution is automatic.
- 7.3.2. The driver of a car who goes to the infield by choice must indicate if he wants a caution or not.
- 7.3.3. Cars involved in caution situations and who require attention on the track to continue must go to the rear of the field.
- 7.3.4. Cars requiring repair during yellows must be taken to the pit lane for work.
- 7.3.4.1. No work is allowed on the track except for re-placement of wings or dislodged drive belt, in which case the car goes to the rear of the field.
- 7.3.5. It can be an option to count all yellow laps and allow cars to enter under a green flag conditions.
- 7.3.6. Caution situations will be a minimum 2 laps starting with first incident, with no passing under caution.
- 7.3.7. All cars must hold their position behind the leader.
- 7.3.7.1. A one (1) lap penalty will be assessed for passing under yellow.
- 7.3.8. Any car causing three (3) cautions in any one race **MAY** be black-flagged.
- 7.3.9. The leader and all cars must slow to a speed that satisfies the Race Director. Any car not slowing will go to the rear.
- 7.3.10. When a caution appears, the track is yellow all around –no racing back to the start/finish.
- 7.3.11. The Race Director must allow yellow flag cars sufficient time to catch up to the rear of the field. If a car is not able to catch up or wishes to be passed during a caution to prevent danger to other drivers, the driver must pull to the infield side of the back straight to indicate to fellow drivers his situation.
- 7.3.11.1. **MAN-UP RULE** - In the case of a caution, all cars/drivers involved will have the first caution lap to agree upon who was at fault, that driver is to take his/her car to the rear of the field. If on the second caution lap, no agreement can be reached, then the Race Director will take over and send all cars to the rear of the field. Drivers not obeying the Race Director can be penalized one (1) lap. Drivers will receive one (1) warning to move to the rear of the field
 - 7.3.11.2. If an incident occurs during slow laps after a yellow, any cars involved are to be returned to the track position they occupied prior to the incident.

7.4. RESTARTS

- 7.4.1. All restarts will be single file starts.
- 7.4.1.1. Passing will be allowed on either side under a "Restart" condition.

7.5. CHECKERED FLAG

- 7.5.1. A race will be considered completed at the moment the checkered flag is displayed or at the moment the scheduled distance is completed by any car, whichever occurs first.
- 7.5.2. All running cars must cross the start/finish line on their lap following the checkered for the race to be properly scored.
- 7.5.3. Cars not completing the scheduled distance will be ranked in order by total laps completed and the sequence of the finish.
- 7.5.4. When any race finish order cannot be determined, the track officials will determine the finish. Their decision is final.

7.6. BLACK FLAG

- 7.6.1. The Race Director will black flag a racer only if in his/her opinion a car is creating undue hazard on the track.
- 7.6.2. The black-flagged car must go to the pits until the hazard is resolved.

7.7. PIT STOPS – REFUELING – RED FLAG STOPS

- 7.7.1. Drivers can pit anytime under green flag conditions.
- 7.7.2. Refueling shall be accomplished at 50 or 75 lap intervals (depending on track size) under a combination red/yellow-flag condition in all classes.
 - 7.7.2.1. On the 49th or 74th lap, a red/yellow flag shall be displayed indicating the refueling-stop.
 - 7.7.2.2. All cars will assemble behind the leader and enter the pits in this order.
 - 7.7.2.3. After a 20 second pause during which all cars are refueled, the cars will exit pit-lane and when all cars are clear, the green flag will be thrown when the leader is exiting turn four.
- 7.7.3. Any car requiring repairs during a pit stop must be removed from the pit lane.
- 7.7.4. In the case of Red Flag pit/fuel stops, the car requiring repairs will be pulled from the order in which it entered the pit lane and returned at the back of the field.
- 7.7.5. QSAC National Championship Races will have mandatory red flag stops.
- 7.7.6. Local tracks and clubs may decide to run green flag stops.

7.8. DRIVER AND PIT CREW

- 7.8.1. Only drivers competing in the specific heat race or main event currently on the track are permitted on the drivers stand.
- 7.8.2. Each driver is limited to one pit person in the hot pit area.
- 7.8.3. A crew member may leave the hot pit area and enter the drivers stand to communicate with the driver for a maximum of three laps and a maximum of two occurrences during the specific heat race or main event.
- 7.8.4. Inside the final ten laps of the heat race or main event, no crew member is allowed to enter the driver's stand, regardless of the circumstance.
- 7.8.5. Two-way radio communication between a driver and crew is NOT permitted in any class.

7.9. UN-SPORTSMANLIKE CONDUCT

- 7.9.1. The following actions are considered un-sportsmanlike and will be dealt with in a manner consistent with the policies set forth below.
- 7.9.2. Deliberate destructive action on the track during a practice session or race.
- 7.9.3. Physical abuse of another competitor, pit person, or Race Official.
- 7.9.4. Excessive and continuous verbal abuse of another competitor, pit person, or Race Official.
- 7.9.5. District, Region, or Area Director are empowered to disqualify, at his/her discretion, any competitor guilty of one or more of these infractions.
- 7.9.6. The incident shall be reported to the QSAC board, which will determine if further action should be taken.
- 7.9.7. Depending upon the severity of the infraction, remedies including racing eligibility suspension and/or membership revocation could result.

7.10. PROTESTS

- 7.10.1. In the event it becomes necessary, a competitor has the right to submit a protest.
- 7.10.2. If a protest is submitted, it must clearly and specifically state what is being protested, referencing the applicable rule (s) being violated.
- 7.10.3. Only those issues specifically protested will be inspected or investigated.
- 7.10.4. In the event that a violation is inadvertently discovered during the inspection process that is not identified specifically, by the submitted protest, it will be noted; however, no penalty would be assessed.
- 7.10.5. A protest fee of \$25.00 (cash) shall be applicable to each protest submitted.
 - 7.10.5.1. If the ruling is in favor of the protest, the fee will be returned to the protestor.
 - 7.10.5.2. If the ruling is unfavorable, the fee will be forfeited to the host club.
 - 7.10.5.3. In the event of an unfavorable ruling regarding the disassembly of a motor or carburetor, the fee will be forfeited to the protested competitor to offset the cost of re-assembly of his or her equipment.
- 7.10.6. Only a driver in the specific heat race or main event in which the violation or infraction occurred may submit a protest.
- 7.10.7. The written protest, including the cash fee, must be submitted to the Chairman of the Protest Committee, Race Director, or ranking QSAC official present, within ten minutes of the conclusion of the heat race or main event in question.
- 7.10.8. If the specific protest may impact the competitors involved in the next scheduled heat race or main event, that heat race or main event shall be delayed until the protest is ruled on.
- 7.10.9. In establishing the penalty for a favorable protest ruling, the nature and intent of the infraction and the degree of competitive advantage will be taken into consideration.
- 7.10.10. Penalties may range from a warning to disqualification from the event. Protest rulings are considered final.

7.11. BACKUP CAR, BODY, OR ENGINE

- 7.11.1. In the case of a competitor's car or body becoming irreparably (as judged by QSAC official) damaged during practice, a heat, or lower-main, a "substitute" car or body may be used to finish the event.
- 7.11.2. In either the case of a car and/or body being substituted, it should be understood that should it make the "A" main, the "substituted" car and/or body will be subject to a combination pre/post-race technical inspection to ensure its total compliance with the rules following the conclusion of the event.
- 7.11.3. Any "substitute" car, body, and/or engine shall start at the rear of the next race of which it has qualified.
- 7.11.4. The source of the "substitute" car may be the competitor's spare, borrowed from a friend, or purchased on the spot.
- 7.11.5. The original body and or engine that are being replaced must be impounded.

7.12. RAIN OUT RULE

- 7.12.1. If qualifying is done by Pill Draw, heat races must be completed before points can be awarded.
- 7.12.2. If no qualifying or heat races have been completed, the event is cancelled.
- 7.12.3. If only single car qualifying has been completed, points will be awarded based on qualifying results.
- 7.12.4. If only heat races are completed and NO mains are started, points will be awarded based on heat race results.
- 7.12.5. If the mains have started, those mains completed will be scored according to the results.
- 7.12.6. If a main is red flagged prior to reaching the half way point, it will be scored as qualified for the main.
- 7.12.7. If the main is beyond the half way point, it will be considered complete and scored based on the positions at the time of the red flag.
- 7.12.8. If the remaining event is subsequently cancelled, all remaining mains will be scored as qualified.

8. GENERAL SPECIFICATIONS

8.1. OVERVIEW

- 8.1.1. Applies to all classes unless otherwise noted in the individual class specifications.
- 8.1.2. The general specs contained herein shall be enforced for each class except where the class Technical Specifications conflict. In such case the class Technical Specifications shall take precedence.
- 8.1.3. All cars must meet the general specifications, the safety requirements and the technical specifications for its class. Modification (except engine) is permitted within the specifications but will be subject to review and approval by QSAC.
- 8.1.4. Situations may upon occasion arise that are not precisely covered in these rules or procedures. A ruling will be made by the ranking QSAC official present, consistent with previous rulings in situations of similar nature. The ranking QSAC official present shall make interpretations of rules and his/her rulings shall be considered final.

8.2. ENGINE

- 8.2.1. Applies to all classes unless otherwise noted in the individual class specifications.
- 8.2.2. Only industrial type, 2-stroke, magneto ignition, 23cc maximum, air cooled, integral starting engines will be allowed.
- 8.2.3. The use of any engine must be approved by the QSAC National Rules Committee 4 weeks before said engine may be raced in any QSAC sanctioned event.
- 8.2.4. No rotary valve, reed valve, or non-integral cylinder head engines allowed.
- 8.2.5. To obtain approval, a minimum of 5 engines must be submitted to QSAC along with factory specifications and technical data pertaining to performance, as well as a supply of gaskets, etc. to facilitate disassembly for inspection and reassembly for testing.
- 8.2.6. Approved engines are as follows: Zenoah G-23RC/G230RC, and Zenoah G240RC.
- 8.2.7. There is no engine "Claiming" Rule.
- 8.2.8. There is a moratorium of five years during which QSAC will not entertain any further change requests to the G240RC engine. Expiration of the moratorium is December 31st, 2027, at which time this text will be removed from the rules package for publication in the 2028 QSAC Rules Package. An exception will be taken into consideration if the need arises due to engine parts supply issues or availability.

8.3. ALLOWABLE ENGINE CHANGES

- 8.3.1. IF IT IS **NOT** LISTED, THEN IT IS **ILLEGAL!**
- 8.3.2. Rebuilding of engine for maintenance only, not blueprinting.
- 8.3.3. Modifications - **NONE**, unless listed.
- 8.3.4. No removal or addition of parts or material from engine or from any part of component of engine whether or not performance is enhanced.
The inadvertent or unintentional removal of material on the underside of the crankcase shall NOT be considered a violation (example: scrape marks on the crankcase due to the engine scraping the ground).
 - 8.3.4.1. Media blasting of any portion of the cylinder or internal engine components is **NOT ALLOWED** for any purpose.
- 8.3.5. Engine replacement parts must be OEM supplied parts unless listed.
- 8.3.6. Engine bearing and seal replacement:
 - 8.3.6.1. For the G-23RC/G230RC, crankshaft bearing replacement must be an equivalent type and size, completely metallic ball bearing, non-shielded, non-sealed.
 - 8.3.6.2. For the G240RC, the third bearing, located on the clutch side of the crankcase, **MAY** be replaced by the G-23RC/G230RC OEM Oil Seal (REF: Zenoah P/N 1850-21220).
 - 8.3.6.3. For the G240RC, the two inner crankshaft bearings must be equivalent type and size, completely metallic ball bearing, non-shielded, non-sealed.
 - 8.3.6.4. For the G240RC, if the outer crankshaft bearing, located on the clutch side, is used, it **MUST** be an equivalent type and size, rubber sealed, Metallic ball bearing. Both rubber seals must remain on the third crankshaft bearing. Removal of either rubber seal on the third crankshaft bearing is **NOT ALLOWED**.
 - 8.3.6.5. For ALL engines, ceramic bearings are **NOT ALLOWED**.
- 8.3.7. Gasket replacement:
 - 8.3.7.1. Gaskets must be pre-manufactured specifically for the Zenoah engines, **NO SCRATCH-MADE GASKETS**.
 - 8.3.7.2. G240RC must use OEM gaskets.
 - 8.3.7.2.1. NOTE: For clarification, the stock/OEM cylinder gasket for the G240RC engine is the black reinforced gasket, Zenoah P/N 579 24 83-01.
 - 8.3.7.3. For the G-23RC and G230RC, sealer is allowed **ONLY** in two locations; on the gasket between the cylinder and crankcase, and on the gasket between the cylinder and phenolic block.
 - 8.3.7.4. The G240RC is only allowed to use sealer on the gasket between the cylinder and phenolic block.
 - 8.3.7.5. For all three engine options, the sealer must be removable and non-permanent type.
 - 8.3.7.6. Parts must be able to be separated without the use of tools.
- 8.3.8. Cylinder Bolt replacement:
 - 8.3.8.1. G-23RC/G230RC may use one of the two options below.
 - 8.3.8.1.1. A G-23RC/G230RC OEM or equivalent bolt is allowed, however NO WASHERS are allowed with the use of the G-23RC/G230RC OEM or equivalent bolt.
 - 8.3.8.1.2. The G240RC OEM captured bolt/washers assembly is allowed.
 - 8.3.8.2. G240RC must maintain OEM captured bolt/washer assembly.
- 8.3.9. Carburetor; see section 8.6 CARBURETOR.
- 8.3.10. Carburetor bolts of any kind. (As long as they do not create an air leak)
- 8.3.11. Phenolic Block, old style G2D70 & newer style P/N 1148-13161, and 1148-13162.
- 8.3.12. Restrictor Plate, QSAC approved 8.5mm or 10.5mm, class designated.
- 8.3.13. QSAC approved aluminum manifold and Teflon gaskets or QS Components [QSC] (<https://www.qscomponents.com/>) intake gasket and carburetor gaskets, 8.5mm or 10.5mm, class designated. (No other gaskets or sealer allowed).
- 8.3.14. Velocity Stacks are allowed to be used in East Coast Modified (ECM), Grand National, Sprint, and Super-Truck classes.
- 8.3.15. Sportsman Cups are required in Limited Sportsman, Sportsman, and 305 Sprint Car classes.
- 8.3.16. Air filter, any type
- 8.3.17. Outerwear's type filters
- 8.3.18. Spark Plug, up to 1/2" reach, retaining manufacturer supplied crush washer (indexing allowed).
- 8.3.19. Exhaust, may be mounted either up or down; see section 8.5 EXHAUST.
- 8.3.20. Clutch; see section 8.8 CLUTCH.
- 8.3.21. Stickers, Stock & Engine Builders
- 8.3.22. Broken and/or damaged ribs on the Flywheel Side Crankcase Half are acceptable.
- 8.3.23. Fan housing and engine mounting holes may be Heli-coiled for repair.
- 8.3.24. Stock flywheel key must be installed without any modifications.
- 8.3.25. Non-permanent thread sealers may be used on any fastener.
- 8.3.26. If you are unable to find your answer to a question on any part or allowable change, contact the National Tech Director or one of the Co-Chairs.

8.4. ENGINE TECHNICAL INSPECTION

- 8.4.1. The QSAC engine rules are written to mean absolutely no engine modification is permitted and includes specifically that the addition or removal of material is not allowed. The rule as written and currently enforced is one of the foundation blocks of QSAC and Quarter Scale Racing. The publication of this procedure is meant as a method for contestants to check their own engines for compliance to the rules. It is not meant as a guide for "blueprinting" an engine within the parameters. An engine found to be altered, even though it may measure legal, will be disqualified and the altered parts will be confiscated and destroyed.
- 8.4.2. To perform the procedure, a 2.00-inch stroke dial indicator and a spark plug hole adaptor will be needed. The carburetors, carburetor mounting block, exhaust system, and flywheel cover must be removed. All the measurements are based on the downward stroke of the piston from the top dead center as the flywheel is rotated counter-clockwise when viewed from the flywheel end of the engine. There are six measurements that, performed as instructed below, will determine:
 - 8.4.2.1. Intake Port Timing - Full Open
 - 8.4.2.2. Ignition Timing
 - 8.4.2.3. Intake Port Timing - Start Open
 - 8.4.2.4. Intake Port Timing - Maximum Port Window Size (height)
 - 8.4.2.5. Exhaust Port Timing - Start Open
 - 8.4.2.6. Crankshaft Stroke

8.4.3. INSPECTION PROCEDURE

- 8.4.3.1. **INTAKE PORT - FULL OPEN** - After finding top dead center and setting the dial indicator at zero; rotate the flywheel counterclockwise until the piston skirt just enters the intake port at the top. Note the measurement and refer to the chart.
- 8.4.3.2. **IGNITION TIMING** - (G-23RC/G230RC, G240RC) - Rotate the flywheel counterclockwise, the leading edge of the first magnet lines up with the back edge of the coil -- check alignment carefully-- read dial/refer to the chart.
- 8.4.3.3. **INTAKE PORT -START OPEN** - Rotate the flywheel counterclockwise until the piston skirt fully closes the intake port at the bottom. Refer to the chart.
- 8.4.3.4. **INTAKE PORT- MAXIMUM PORT HEIGHT** - The maximum intake port height (roof to floor) may not exceed .425 or less, as measured by subtracting the intake port - full open figure from the intake port - start open figure (.520 or less) Example .510 (IPSO) MINUS .095 (IPFP) = .415 PORT WINDOW SIZE Refer to chart.
- 8.4.3.5. **EXHAUST PORT - START OPEN** - Rotate the flywheel counterclockwise until the piston crown begins to open the exhaust port at the top. Refer to the chart.
- 8.4.3.6. **CRANKSHAFT STROKE** - Rotate the flywheel counterclockwise to bottom dead center. Refer to chart.

8.4.4. Engines must be as manufactured, no mixing of components. The G-23RC/G230RC (versions A, B & C) has interchangeable parts. Each version will have its own set of specifications and will be checked accordingly. Example: Version A engine with a version B cylinder will be teched as a version B engine. If your engine has version B parts it will be teched as a version B engine. If you have any questions, please contact the National Tech Director or the Co-Chairs.

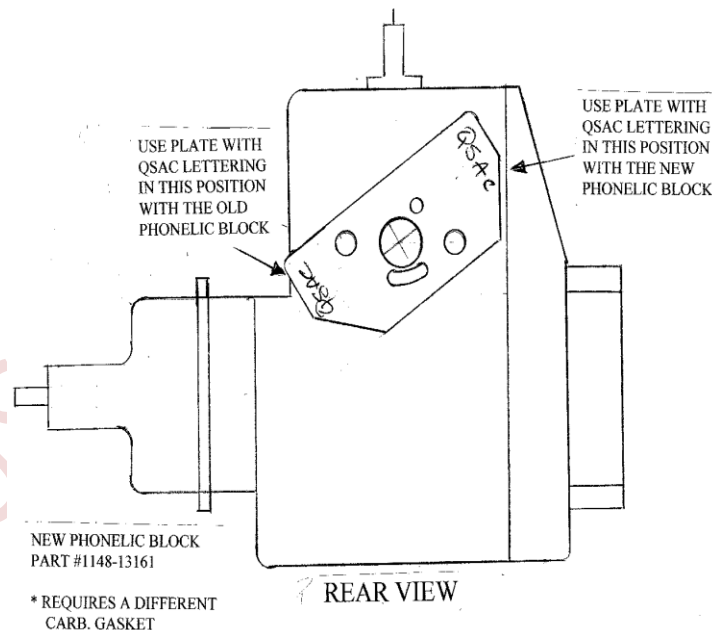
SPECIFICATIONS	G-23RC/G230RC "A"	G-23RC/G230RC "B & C", AND G240RC
INTAKE-PORT, FULL-OPEN (IPFO)	.065" OR MORE	.070" OR MORE
INTAKE-PORT, START-OPEN (IPSO)	.480" OR LESS	.520" OR LESS
MAXIMUM PORT-WINDOW SIZE	.408" OR LESS	.425" OR LESS
EXHAUST-PORT START-OPEN (EPSO)	.655" OR MORE	.650" OR MORE
MAXIMUM STROKE	1.105" OR LESS	1.105" OR LESS
MAXIMUM TIMING	OPEN	OPEN

8.5. EXHAUST

- 8.5.1. All engines shall have chambered exhaust system that effectively reduce noise.
- 8.5.2. No open exhaust or un-chambered open pipes are allowed.
- 8.5.3. Any car deemed too loud by officials will not race until the problem is corrected.
- 8.5.4. Maximum noise level is 85 DBA measured at a distance of 30 feet from the track surface whenever a noise limit is in effect.
- 8.5.5. Noise limits are imposed by local ordinance or at the discretion of the promoter.
- 8.5.6. All Classes must use Zenoah Mufflers P/N's T2070-15110, 1751-15101, or 1148-15112.
- 8.5.7. No spacers or extensions between the cylinder exhaust port and muffler.
- 8.5.8. Only one exhaust gasket is permitted.
- 8.5.9. Muffler outlet may not be added to or internally or externally cut.
- 8.5.10. Muffler may not be altered in any way, shape or form.
 - 8.5.10.1. Bending and manipulation of the muffler exhaust stinger is **NOT** allowed.
 - 8.5.10.2. Denting and manipulation of the muffler outside shape and contour is **NOT** allowed.
 - 8.5.10.3. EXCEPTION: The muffler mounting tab **IS** allowed to be removed.
- 8.5.11. Exhaust may be redirected by use of a piece of 1.00 inch (ID) or larger hose or tube.
- 8.5.12. Exhaust may be rotated.
- 8.5.13. Exhaust mounting bolts are allowed to use one (1) high collar lock washer per bolt.

8.6. CARBURETOR

- 8.6.1. All classes to run an 8.5 or 10.5 Restrictor / Adaptor plate. See class rules for further information. The plates will be mandatory at all QSAC sanctioned events for 2008 and beyond.
- 8.6.2. Only the Walbro WYK 32, 51, 194, are allowed.
- 8.6.3. Carburetor poppet-valve (needle/seat) may be adjusted, poppet-valve (spring) may be modified and adjusted, but **NO OTHER MODIFICATIONS ARE PERMITTED.**
- 8.6.4. It is illegal to modify EITHER side of the Phenolic carburetor block, or to alter the size of the openings in the block.
- 8.6.5. QSAC Members and Manufacturers may purchase the plates from Mike Sadler for \$8.00 plus shipping. Since this is a mandated part, QSAC Members and Manufacturers will pay the same price.
- 8.6.6. QSAC approved Manifold: Current Members cost: \$20.00, plus shipping.



8.7. TECH TOOLS

- 8.7.1. QSAC standardized measuring system for the restrictor plates and manifolds utilizes the following go/no-go tools: Vermont Gage Pins Class ZZ (+/- .005mm) 60 Rockwell Hardness, available through MSCdirect.com.
- 8.7.2. 8.5 Plate and Manifold:
 - P/N # 88933304; .3330", or 8.4582mm (GO)
 - P/N # 88933502; .3350", or 8.509mm (NO-GO)
- 8.7.3. 10.5 Plate and Manifold:
 - P/N # 88941208; .4120", or 10.4648mm (GO)
 - P/N # 88941406; .4140", or 10.5156mm (NO-GO)
- 8.7.4. Additionally, a double-ended gage handle is available for ease of use during the inspection process; P/N # 82931809

8.8. CLUTCH

- 8.8.1. All classes: Clutches must maintain a standard two-shoe, single-spring, centrifugal configuration, with no external adjustment capability.
- 8.8.2. Clutch arbor and bolts/washers may **NOT** be removed, modified or lightened.
- 8.8.3. The clutch housing may be lightened or modified for cooling, servo mounting, clutch disassembly, etc. Grand National, Super Truck, Super Late Model, & Sprint Classes may use steel or aluminum clutch shoes and shoes may be lightened.
- 8.8.4. Aftermarket clutch springs are allowed.
- 8.8.5. Clutches for Limited Sportsman, Sportsman, and 305 Sprint Car classes **MUST** remain entirely stock; this includes both the clutch spring and clutch shoes.

8.9. FUEL

- 8.9.1. The fuel specified is VP (brand) VP-110, C-16 or C-12, mixed with 1.5 ounces of AMSoil Saber 2-stroke oil per gallon.
- 8.9.2. Fuel additives are **STRICTLY** prohibited except lubricant.
- 8.9.3. The use of methyl alcohol/methanol is **NOT** allowed.

8.10. FUEL SYSTEM

- 8.10.1. All classes will use a maximum 8 oz. capacity fuel tank.
- 8.10.2. All classes are limited to a maximum of 60-inch total fuel line length which includes a maximum of two fuel filters, fill, feed, return and vent lines.
 - 8.10.2.1. Tubing located inside the primary fuel tank is excluded.
- 8.10.3. The fuel system must be filled and vented on the right side of the car.
 - 8.10.3.1. The car must be filled on the right side due to safety issues and vented on the right side to allow overflow fuel to be discharged toward the pit wall.
- 8.10.4. As an option, a maximum 2 oz. catch tank may be installed on the primary tank vent line. The catch tank may not have a fuel pick up mechanism.
- 8.10.5. All fuel lines and filler lines must be .125-inch maximum ID.
- 8.10.6. Only one vent line and one filler line permitted.
- 8.10.7. Refilling bottle shall be a 1-quart maximum size.
 - 8.10.7.1. Manual pressurizing only during refilling.

8.11. CAR NUMBERS

- 8.11.1. Each car shall be clearly numbered and visible from the scoring stand.
- 8.11.2. Numbers must appear on both sides of the car, except when special scoring numbers are used.
- 8.11.3. Car numbers placed on wings must have additional identification should the wings become detached while racing.
- 8.11.4. Minimum number size is 3.00 inches on the wing and 2.00 inches on the tail tank for open wheel cars; 4.00 inches for full-bodied cars and trucks.

8.12. CHASSIS

- 8.12.1. No shifting or variable speed drivetrains permitted.
- 8.12.2. All cars must have 4-wheel suspension.
- 8.12.3. Engines must be mounted with either the spark plug or crankcase centerline on the car longitudinal centerline of the chassis' main rails with a tolerance of plus or minus .50 inch.
 - 8.12.3.1. Main rails are defined as the major symmetrical load carrying longitudinal frame members, and do not include "side pods" used for body mounts.
- 8.12.4. Differentials permitted in all classes.
- 8.12.5. Two-wheel drive (rear) only.
- 8.12.6. Basic frames must be symmetrical in design.
- 8.12.7. Mainframe rails should be mirror image left to right with minor deviations for component clearance allowed.
- 8.12.8. Suspension components may be modified in material to achieve lighter weight and/or greater strength.
- 8.12.9. No cantilever suspension allowed.
- 8.12.10. Cars must maintain a 50% - 50% weight bias plus or minus a 10% total spread. Thus, the maximum bias left to right is 55% - 45%.

8.13. MISCELLANEOUS

- 8.13.1. No electric or electronic device may be used in any class unless specified in the Technical Specifications for that class. Examples: rate gyros, moveable ballast, any electronic or electrical adjustment device other than one or two steering and one or two throttle / brake servos.
- 8.13.2. One battery powered tool per pit position is permitted for changing of tires, etc., during a race.
- 8.13.3. On-board tachometers are permitted in all classes.
- 8.13.4. Onboard telemetry is **NOT** permitted in any class.
- 8.13.5. Kill Switches are permitted in any class.
 - 8.13.5.1. Kill switches are allowed to be controlled with a switch, button, or command function on the radio through an alternate channel on the receiver.
- 8.13.6. Drilling the clutch bell housing is allowed for heat reduction or shoe removal.

8.14. IMPACT PARTS

- 8.14.1. Impact Parts are defined as parts or components that are uniquely critical to the competitive operation of a quarter scale race car. They are further defined as items where significant technical developments and/or enhancements might possibly render the previous version of the part or component obsolete or noncompetitive or represents an excessive cost versus benefit to the racer.
- 8.14.2. The current list of IMPACT PARTS includes, but is not limited to, engines, carburetors, clutches, clutch bells and components, brakes and components, shock absorbers, tires, hosts and bands and bodies. Parts or components are required to be readily available to all QSAC members.
- 8.14.3. Impact Parts Approval Process:
 - 8.14.3.1. Manufacturers are required to submit a formal written request along with parts or components that fall into this category, to the Impact Parts Committee Chairman or Co-Chairs for review and disposition as to the legality for competition under QSAC rules.
 - 8.14.3.2. New parts or components that have been designated as impact parts are allowed to be submitted for review and disposition at any point during the calendar year.
 - 8.14.3.3. However, parts submitted for review and disposition after September 30th of the calendar year will not be taken into consideration until after January 1st of the following calendar year.
 - 8.14.3.4. Upon receipt of a part for review and disposition by the Impact Parts Committee, the committee will have a maximum of two weeks (14 calendar days) to provide a formal response to the Co-Chairs regarding their evaluation and recommendation.
 - 8.14.3.5. A reviewed and approved Impact Part will be eligible for QSAC sanctioned competition 90 days after the formal announcement of approval and being readily available through the manufacturer.
 - 8.14.3.6. QSAC will announce approval of this process through www.qsac.org

8.15. GENERAL SHOCK/DAMPER DESIGN RULES

- 8.15.1. Material(s): Any material may be used in the construction of any part of the shock (shaft, seal, seal-retainer [cartridge], body, cap, piston, or volume compensation bladder).
- 8.15.2. The piston must be one, single piece in design. This does not include an O-ring if the piston is guided by an O-ring inside the shock body.
 - 8.15.2.1. Pistons may be of any shape; they may have a different shape/contour on either side; they are not required to be symmetrical in design.
 - 8.15.2.2. Pistons may be blank (no holes), or have as many or as few holes as desired.
- 8.15.3. The piston must not move on the shaft with the exception of rotationally around the shaft. Example: a piston that is retained by an e-clip or snap-ring may allow the piston to rotate around the shaft.
- 8.15.4. No external adjustments to damping are allowed. This is intended that an operator would need to disassemble the shock to change the damping fluid to a different weight or make a change to a different piston.
- 8.15.5. No internal or external adjustable valve is allowed.
- 8.15.6. No internally adjustable damping change is allowed. This is intended that there are no moving parts within the shock other than the shaft and the piston. E.G., no flappers or other items that will alter the compression or rebound damping rate of the shock.
- 8.15.7. No external reservoirs; all fluid or air must be contained within the main shock body or shock cap.
- 8.15.8. The use of internal springs is prohibited (E.G., a spring inside the shock body, either on the shaft side or the non-shaft side of the piston, to assist in compression or rebound).
- 8.15.9. Bleed holes in the cap are allowed.
 - 8.15.9.1. Volume compensating bladders are allowed in the cap.
- 8.15.10. Fundamentally, the shock should be of one of the following designs:
 - 8.15.10.1. Pass-through type pistons (Bullseye Invader Shocks, WCM DRX Shocks)
 - 8.15.10.2. Blow-by type pistons (Original WCM Shocks, Dynashox, TNT)
 - 8.15.10.3. Center-flow type pistons (JR Quarterscale)
 - 8.15.10.4. A combination of any of the first three (HADA Shocks, E.G. a blow-by piston that includes pass-through holes)
- 8.15.11. These shock/damper rules apply to all classes.

8.16. TIRES AND WHEELS

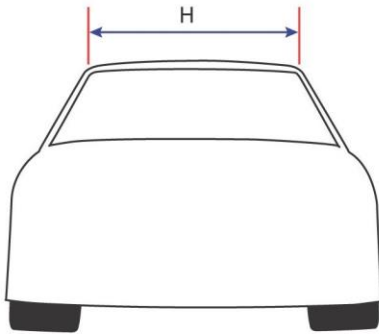
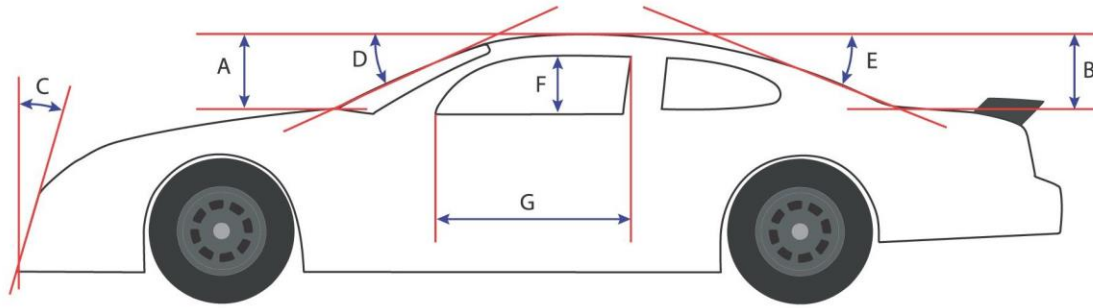
- 8.16.1. Wheels and tires may be substituted and modified within the specific class requirements.
- 8.16.2. Maximum wheel width 3.00 inches, maximum diameter 4.00 inches (at the bead).
- 8.16.3. Wheels must be scale appearing with a maximum offset of 1.00 inch.
- 8.16.4. Wheel knockoffs are not allowed with the exception of the open wheel classes.
- 8.16.5. All wheels must have minimum 2 lugs.
- 8.16.6. All classes shall use tire configurations as follows: A molded foam host mounted on an approved wheel and shall have a rubber outer band or cap.
- 8.16.7. No tire cleaners or tire traction treatments permitted. Tires may not be cleaned with any liquid or foam of any kind.
- 8.16.8. Track preparation to improve traction is permitted.
- 8.16.9. Tire circumference (roll-out) is measured as an average of the center and outside edge measurements. This measurement shall be 22.00" maximum and 17.00" minimum (LF, RF, RR) and 16.75" minimum (LR).
- 8.16.10. Maximum tread width is 3.25 inches, with a minimum tread width of 2.75 inches, and 3.75 inches maximum sidewall width.
- 8.16.11. Competitors in **ALL CLASSES** must utilize the QSAC approved right front tire-bands on the competitor's choice of host.
- 8.16.12. Right front tire bands will have a unique (molded into the band) identifier to designate it is an "Approved" tire band.
- 8.16.13. Approved compounds as submitted by the manufacturers with suggested corner locations are as follows:
- 8.16.14. Bishop Racing Products (BRP)
 - 8.16.14.1. Left Front/Left Rear = L10, L20, L30
 - 8.16.14.2. Right Rear = 410, 405, 407, C-4. And C-5
 - 8.16.14.3. Right Front = 96, 96Z or Dual Band
- 8.16.15. WCM Diamondback
 - 8.16.15.1. Left Front/Left Rear = RZ2, ZR, XZR
 - 8.16.15.2. Right Rear = M3, M4, Signature
 - 8.16.15.3. Right Front = A or B
- 8.16.16. RC4Less
 - 8.16.16.1. Left Front/Rear = marked with White dot & "L"
 - 8.16.16.2. Right Rear = Marked with either a Yellow or Pink dot & "RR"
 - 8.16.16.3. Right Front = Marked with either a Red or Blue dot & "RF"
- 8.16.17. The above are the **ONLY** allowable compounds permitted and can **ONLY** be run where designated. (Example: Approved Right Rear compounds on Right Rear Only.)
- 8.16.18. No mixing of Brands/Manufacturers of tires allowed. This is to say that all four tires being run in competition must be from the same manufacturer.

8.17. BODY DIMENSIONS

8.17.1. STOCK CAR, SUPER TRUCK, SUPER LATE MODEL -

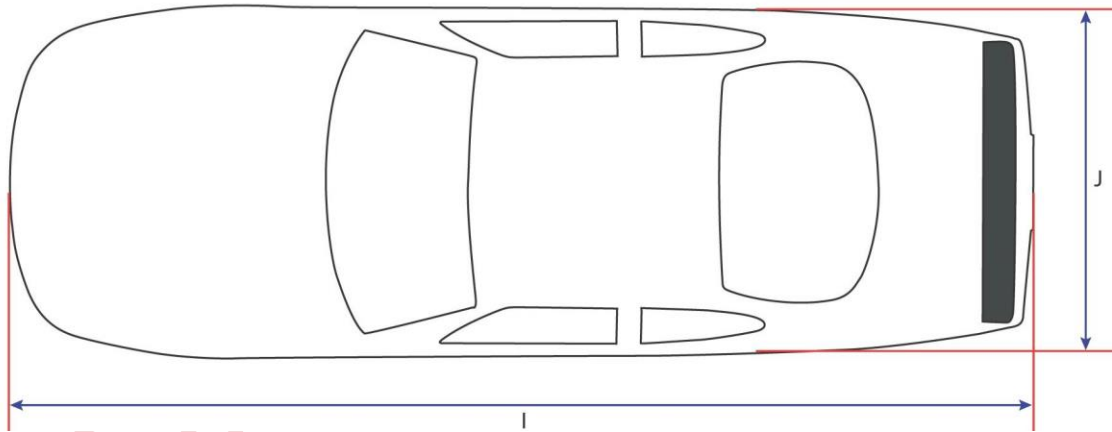
8.17.1.1. ****ATTENTION POTENTIAL BODY MANUFACTURERS****

If you intend to manufacture a "new" Quarter Scale Race Body, it is strongly recommended that you contact the QSAC Impact Parts Committee *BEFORE* you begin the project, to ensure the final product will be within acceptable parameters for approval for QSAC Competition.



Stock Car Body Dimensions:

- A: Roof height Measured at base of windshield. A+B minimum of 5.50"
- B: Roof height Measured at base of rear window. A+B minimum of 5.50"
- C: Angle of front lower air dam. Maximum of 25 degrees from vertical
- D: Angle of windshield measured at center. Minimum angle of 22 degrees.
- E: Angle of rear window measured at center. Minimum angle of 15 degrees
- F: Height of side windows. "Recommended" minimum of 3.312"
- G: Length of side windows. "Recommended" Minimum of 8.00"
- H: width of roof. Minimum of 11.25"
- I: Overall length: 44.00-49.00"
- J: Overall width: 17.50-19.50"



SUPER-TRUCK		SUPER LATE MODEL	
A.	3.250"	A.	3.375"
B.	4.000"	B.	3.375"
C.	15 DEGREES	C.	20 DEGREES
D.	35 DEGREES	D.	38 DEGREES
E.	60 DEGREES	E.	25 DEGREES
F.	3.750"	F.	3.000" LEFT WINDOW, 4.000" RIGHT WINDOW
G.	7.500"	G.	4.3125"
H.	12.750"	H.	9.625"
I.	44.000 - 49.000"	I.	44.000 - 49.000"
J.	17.500 - 21.500"	J.	17.500 - 19.500"

9. GRAND NATIONAL – CLASS SPECIFICATIONS

9.1. TECHNICAL SPECIFICATIONS

- 9.1.1. Unless otherwise listed below, all other specifications from the General Specifications apply.
- 9.1.2. Minimum Height 10.50 inches
- 9.1.3. Overall length 44.00 - 49.00 inches
- 9.1.4. Wheelbase 25.00 - 27.00 inches
- 9.1.5. Overall width* 17.50 - 19.50 inches
- 9.1.6. Track Width** 16.50 - 19.25 inches
- 9.1.7. Weight 30 pounds – minimum

* Overall width is measured at the car's widest point

** Track width is defined as "outside of tires". Track width differential front to rear may not exceed 1.50 inches at any time.

9.2. BODIES

- 9.2.1. Cars and Trucks must run QSAC approved bodies.
- 9.2.2. All bodies must be attractively painted and maintain a scale appearance.
- 9.2.3. Cars must have windshields front and rear either as cutouts replaced with another solid plastic material or as outlines painted as windows with a contrasting color.
- 9.2.4. No lightening or ventilating of the body except as in the car's full-size counterpart (grill opening, windshield cowl, etc.).
- 9.2.5. No holes allowed in the rear of the body.
- 9.2.6. Wheel openings must be full cutouts.
- 9.2.7. No underbody ground effects.
- 9.2.8. Roof rails, allowed as molded-in by body manufacturers, may not exceed .25 inches in height.
- 9.2.9. Belly-pans limited to 208 square inches. No full width belly-pan extensions past the front or rear axle line.
- 9.2.10. Add on rear spoilers may not extend more than 3" in any direction from the factory deck as measured at the back edge of the rear deck.
- 9.2.11. Spoiler may be of any material, but all edges must be rounded and smooth.
- 9.2.12. The spoiler must be mounted on the rear of the body (just like the full-scale version) not on top of the rear deck.
- 9.2.13. No bends or lips on the top or ends of the spoiler allowed. (Also, applicable to Sportsman, Limited Sportsman Stock-car).
- 9.2.14. Body's rear bumper flange may not be trimmed to less than 1" from the molded bumper as measured from the inside of the flange.
- 9.2.15. The top surface of the front and rear bumpers must be at or above the wheel centerline.
- 9.2.16. Foam bumpers (front and rear) are mandatory and must maintain a minimum of .25-inch ground clearance during full compression of the suspension.
- 9.2.17. The outside perimeter of both bumpers must be within .50" of body.
- 9.2.18. Engine exhaust may be routed through a single 1.25 square inch cutout, located in the side of the body between the front and rear tires and below the centerline of the front and rear axles.
- 9.2.19. The exhaust cutout must not interfere with the cars side number (s).
- 9.2.20. No exhaust ductwork shall extend beyond the body.

9.3. CHASSIS

- 9.3.1. Cars must have independent A-Arm type front suspension.
- 9.3.2. A-Arm mounting points must be equal distance from the chassis centerline.
- 9.3.3. Lower control arms must be of equal length (plus or minus .125 inch) as measured from the centerline of the inner mounting point to the centerline of the ball-joint. There is a tolerance of .125 inch for each lower control arm that is to mean that the overall difference between the left and right lower control arms is .250 inch.

9.4. ENGINE

- 9.4.1. Engine Zenoah G23RC/G230RC (versions A, B & C), and G240RC are allowed.

9.5. CARBURETOR

- 9.5.1. The Walbro WYK Series (32, 51, and 194) carburetors are allowed; must use a 10.5 QSAC Plate or QSAC Manifold, two gaskets, and no sealant. See section 8.6 CARBURETOR. The QSAC Plate or QSAC Manifold is mandatory.

9.6. TIRES

- 9.6.1. Tires must fit within the car's body.

9.7. FUEL

- 9.7.1. Gasoline only.

10. SPORTSMAN – CLASS SPECIFICATIONS

10.1. TECHNICAL SPECIFICATIONS

- 10.1.1. Unless otherwise listed below, all other specifications from the Grand National and General Specifications apply.
- 10.1.2. Minimum Height 10.50 inches
- 10.1.3. Overall length 44.00 - 49.00 inches
- 10.1.4. Wheelbase 25.00 - 27.00 inches
- 10.1.5. Overall width* 17.50 - 19.50 inches
- 10.1.6. Track Width** 16.50 - 19.25 inches
- 10.1.7. Weight 30 pounds – minimum

* Overall width is measured at the car's widest point

** Track width is defined as "outside of tires". Track width differential front to rear may not exceed 1.50 inches at any time.

10.2. ENGINE, FILTER, VELOCITY STACK

- 10.2.1. G-23RC/G230RC (A, B & C), and G240RC engines with the QSAC approved air filter adapter (replaces the velocity stack) allowed - or- the stock OEM Zenoh air filter and housing.

10.3. CARBURETOR PLATE/MANIFOLD

- 10.3.1. Must use an 8.5 QSAC Plate or QSAC Manifold, two gaskets, and no sealant. See sections 8.3.7, 8.3.11, 8.3.12, and 8.3.13 in ALLOWABLE ENGINE CHANGES. The QSAC Plate or QSAC Manifold is mandatory.

11. LIMITED SPORTSMAN – CLASS SPECIFICATIONS

11.1. TECHNICAL SPECIFICATIONS

- 11.1.1. Unless otherwise listed below, all other specifications from the Grand National, Sportsman, and General Specifications apply.
- 11.1.2. Minimum Height 10.50 inches
- 11.1.3. Overall length 44.00 - 49.00 inches
- 11.1.4. Wheelbase 25.00 - 27.00 inches
- 11.1.5. Overall width* 17.50 - 19.50 inches
- 11.1.6. Track Width** 16.50 - 19.25 inches
- 11.1.7. Weight 30 pounds – minimum

* Overall width is measured at the car's widest point

** Track width is defined as "outside of tires". Track width differential front to rear may not exceed 1.50 inches at any time.

- 11.2. Competitors in the Limited Sportsman class may **ONLY** participate in 305 Sprint Car as an additional class while remaining in the Limited Sportsman class. Further, once leaving the Limited Sportsman class to progress to a "Pro class", he / she may not return to the Limited Sportsman class unless approved by the QSAC Area, Region, or District Director, and his "home track" or club.

11.3. Spoiler Specifications:

- 11.3.1. Spoiler must be 5" minimum height.
- 11.3.2. Spoiler to be at an angle of 60 degrees minimum, measured relative to the ground.
- 11.3.3. Spoiler must be made of Lexan (or generic equivalent), and must be a minimum of .060" thick.

12. SUPER-TRUCK – CLASS SPECIFICATIONS

12.1. TECHNICAL SPECIFICATIONS

- 12.1.1. Unless otherwise listed below, all other specifications from the Grand National and General Specifications apply.
- 12.1.2. Minimum Height 11.75 inches
- 12.1.3. Overall length 44.00 - 49.00 inches
- 12.1.4. Wheelbase 25.00 - 27.00 inches
- 12.1.5. Overall width* 17.50 - 21.50 inches
- 12.1.6. Track Width** 16.50 - 19.50 inches
- 12.1.7. Weight 30 pounds – minimum

* Overall width is measured at the car's widest point

** Track width is defined as "outside of tires". Track width differential front to rear may not exceed 1.50 inches at any time.

- 12.2. Trucks must appear as current NASCAR Super-Trucks, must be attractively painted and maintain a scale appearance.

- 12.3. Trucks may use the Super-Truck body approved for use by QSAC.

- 12.4. Must have windshields front and rear either as cutouts replaced with another solid plastic material or as outlines painted as windows with a contrasting color.

- 12.5. Maximum spoiler is 3.00 inch measured in any direction from top of rear deck, any material, but corners must be rounded and smooth with no sharp edges. The spoiler must have the molded lip facing away from the body but still cannot be more than 3 inches tall.

- 12.6. On certain chassis, roll bar and/or spark plug interference prevents seating the Super-Truck body properly on the front and rear bumpers. To alleviate this interference, it is permissible to cut out the body, using Slot-type reliefs for roll bars and a rear-window/deck cut-out for the sparkplug. In both cases, such cuts must be kept to an absolute minimum. If, during pre-race tech, cutouts are deemed to be excessive, the competitor may be required to temporarily fill part of the cutout using duct-tape or other material.

- 12.7. Engine must conform to the Stock Car and General specifications.

13. EAST COAST MODIFIED (ECM) – CLASS SPECIFICATIONS

13.1. TECHNICAL SPECIFICATIONS

13.1.1. Unless otherwise listed below, all other specifications from the Grand National and General Specifications apply.

- 13.1.2. Overall length 41.0 – 46.0 inches
- 13.1.3. Wheelbase 25.0 – 27.0 inches
- 13.1.4. Overall width* 17.5 – 19.5 inches
- 13.1.5. Track Width** 16.5 – 19.25 inches
- 13.1.6. Weight*** 28 pounds – minimum

* Overall width is measured at the outside of Nerf Bar.

** Track width is defined as "outside of tires". Track width differential front to rear may not exceed 1.50 inches at any time.

*** Before and after race.

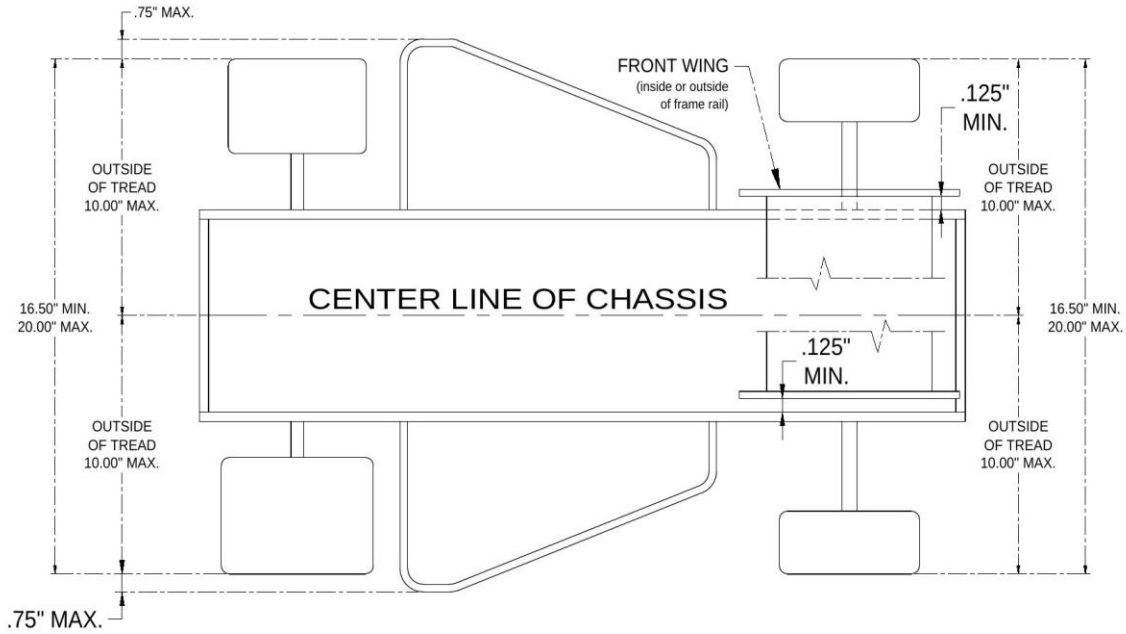
- 13.2. Cars must resemble an ECM. (No front fenders. No chopped down Stock Car bodies. No front wings, top wings, side dams or roof rails.)
- 13.3. Independent front suspension only. (No straight axles)
- 13.4. Rear straight axle or independent suspension allowed.
- 13.5. Tube style front bumper, diameter not to be greater than the frame rails or extend past to front frame width by more than one (1) inch on either side. The front tube bumper may not extend more than three (3) inches past the front of the main frame rail.
- 13.6. Foam rear bumper (saves from tearing up front tires on tube rear bumpers) not to extend outside the width of the rear wheels by more than ½ inch. Maximum rear bumper foam thickness is two (2) inches; minimum is one and one-half (1-1/2) inches.
- 13.7. Tube style Nerf Bars, diameter not to exceed the main frame rails. Nerf Bars may not extend past the outside of the wheels more than ½ inch.
- 13.8. The ECM Class is a 10.5 class. Either a 10.5 QSAC Blue plate with an approved manifold block or the QSAC blue 10.5 manifold are mandatory. Velocity stacks are allowed.
- 13.9. Tires. QSAC Stock Car General Rules
- 13.10. Fuel system. QSAC General Rules
- 13.11. Body Height. Ten (10) inches minimum.
- 13.12. Exhaust systems may be mounted outside the car's frame but within the length, width and height of the car.
- 13.13. Minimum right rear tire circumference of 17.00 inches before and after race.
- 13.14. Engine and muffler must conform to the stock car and general specifications.
- 13.15. Use the same carburetor and mandatory restrictor / adaptor plates as the Grand National technical specifications.
- 13.16. Body Measurements:
- 13.17. These are the MAXIMUM square inches (width x length) for these four body panels.
- 13.18. To accommodate all chassis', the body can be altered but must stay within the square inch rule on the four main body panels.
- 13.19. Maximum roof deck is 156 total square inches.
- 13.20. Maximum rear deck is 87 square inches.
- 13.21. Spoiler 3" Maximum Height (measured from the deck), Maximum of 36 sq. in. Width NOT to exceed outside of body.
- 13.22. Windshield Square Inches/Opening:
 - 13.22.1. Windshield cannot exceed 61 square inches of surface; painted or not.
 - 13.22.2. Anything over 61 square inches must be removed from right side only.
 - 13.22.3. Left Side must be closed.
- 13.23. The two side windows must remain open.
- 13.24. Center of front wheels to the base of the front windshield 8" (+/- ½").
- 13.25. Body angles:
- 13.26. Front Nose -- 40 degrees (+/- 5 degrees) Front nose panel must not exceed width of front frame rails by more than ¼"
- 13.27. Windshield – 25 Degrees (+/- 5 degrees)

14. SPRINT CAR – CLASS SPECIFICATIONS

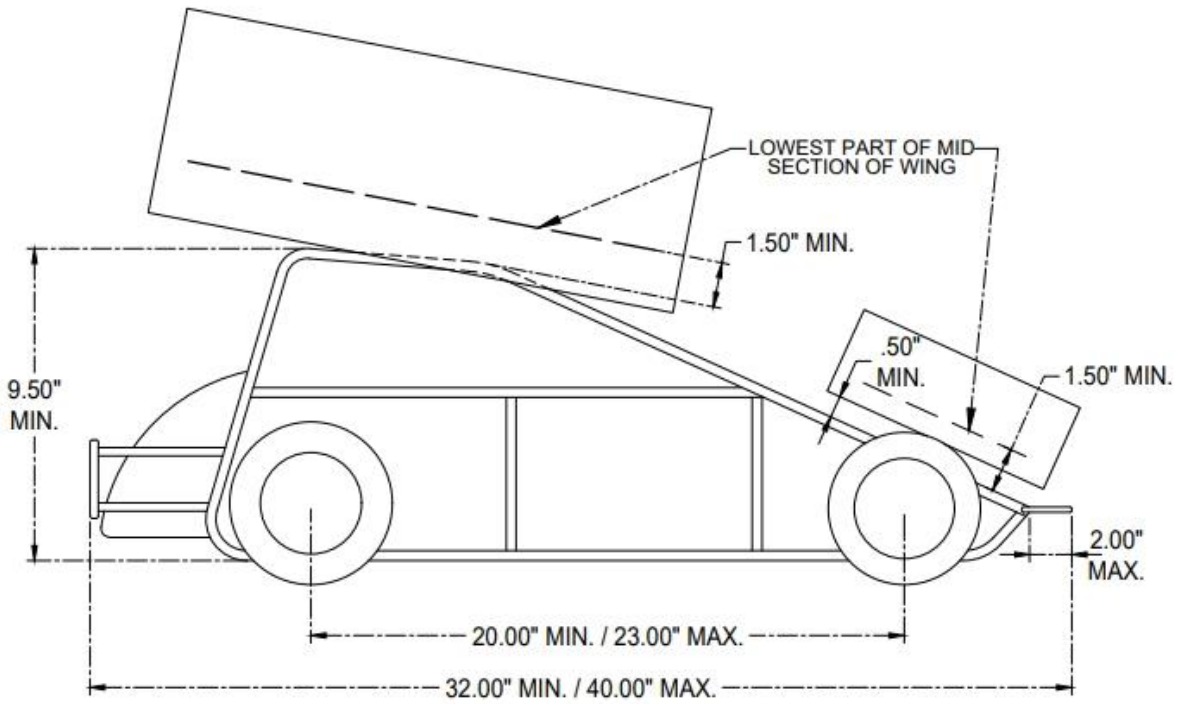
14.1. TECHNICAL SPECIFICATIONS

14.1.1. See image labeled TRACK WIDTH and image labeled HEIGHT – WHEELBASE – LENGTH.

TRACK WIDTH



HEIGHT - WHEELBASE - LENGTH



14.2. CHASSIS

14.2.1. Car must resemble a "World of Outlaws" or "USAC" Sprint Car and meet all dimensional specifications as shown below:

14.3. WEIGHT

14.3.1. 22 pounds minimum (empty fuel tank).

14.4. SUSPENSION & DRIVETRAIN

14.4.1. All cars must be straight axle, front and rear.

14.4.2. A solid 1-piece rear axle from hub to hub.

14.4.3. Only exclusion being if the differential or one-way bearing rule is being followed.

14.4.4. No Camber allowed. This is to mean no independent suspension.

14.4.5. Suspension may be Coil Over and/or Torsion Bar.

14.4.6. Maximum of (4) shock absorbers.

14.4.7. Rear End Differentials (ball diffs, floater hubs) are allowed but not required.

14.4.8. Quick Change Gear Rear Ends (Skellenger, New Era, etc.) are allowed but not required.

14.5. BODY & WINGS (OVERVIEW)

14.5.1. A scale appearing hood, tail tank, and top wing are required.

14.5.2. Front wing is optional.

14.5.3. No side foils, rudders, or panels are to extend beyond rear cage support bars.

14.5.4. Wings may be constructed of any material but must be flexible with no sharp edges.

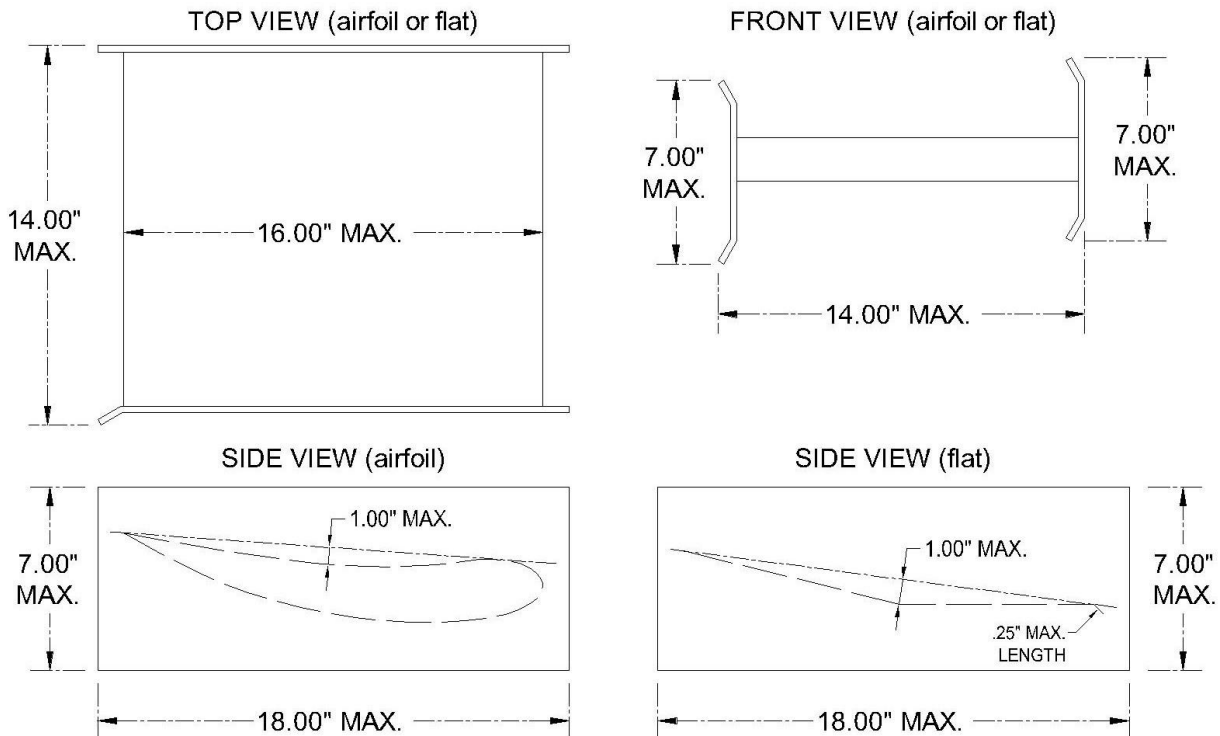
14.5.5. Wings must meet all dimensional specifications as shown in image labeled TOP WING and image labeled FRONT WING.

14.6. TOP WING

14.6.1. The top wing may be an Airfoil style wing. The air foil wing may not have a curve that causes the distance from the front of the wing to the rear of the wing to have a gap at the widest point of more than 1.00" (see image labeled TOP WING) The lowest point of the midsection of the wing must have a minimum of 1.50" gap from the top frame rail.

14.6.2. The top wing may be a flat/Lexan style wing with only ONE main bend in it. The flat/Lexan wing may not have a bend that causes the distance from the front of the wing to the rear of the wing to have a gap at the widest point of more than 1.00". The flat/Lexan style wing may have a downward bend on the leading edge for strength; the bend may not be more than .25" back from the leading edge of wing. The lowest point of the midsection of the wing must have a minimum of 1.50" gap from the top frame rail. An additional strengthening bend of .25" at the front of the wing is considered in overall length, but should NOT be included for the measurement of overall 1.50" gap; please refer to image labeled HEIGHT - WHEELBASE - LENGTH for visual clarification.

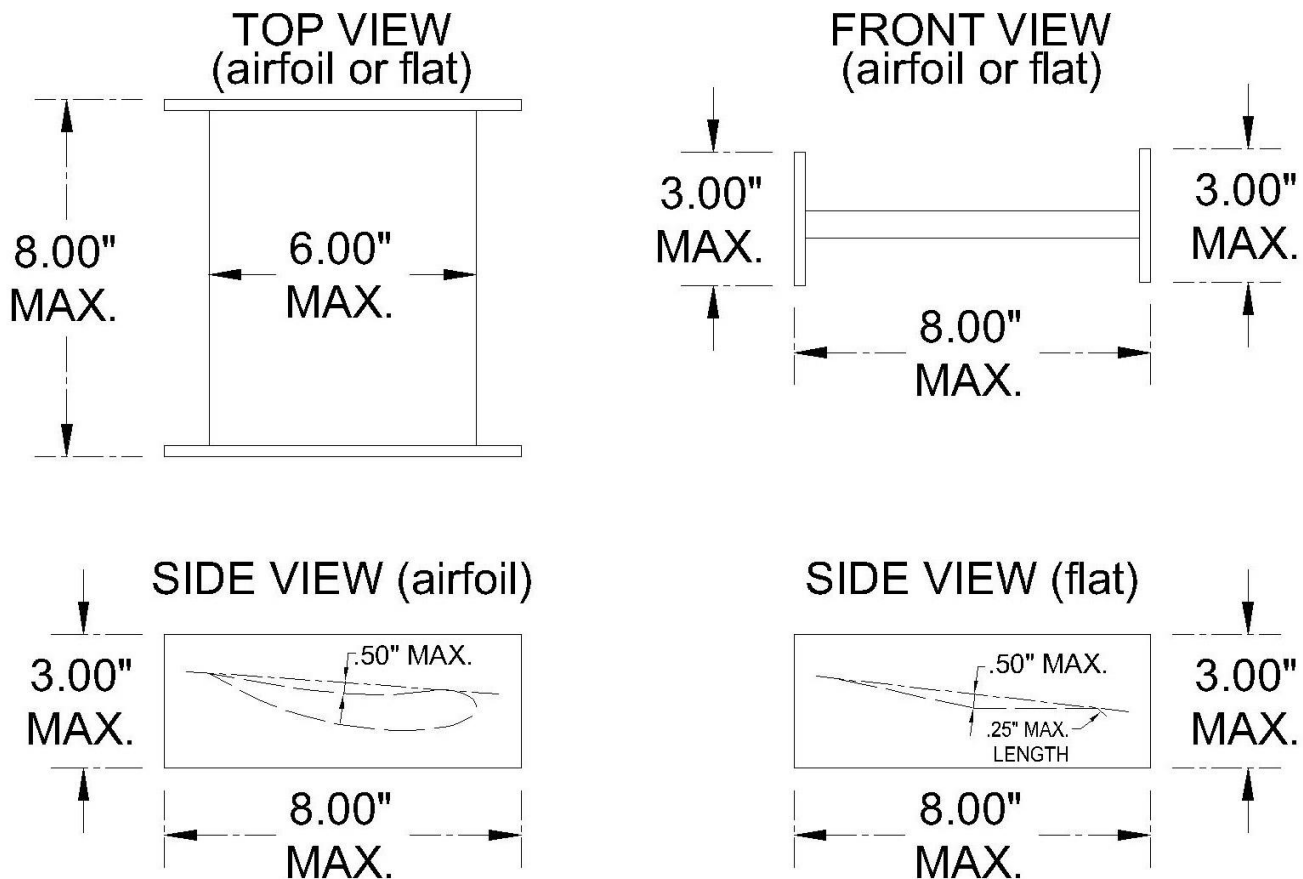
TOP WING



14.7. FRONT WING

- 14.7.1. The front wing may be an Airfoil style wing.
- 14.7.2. The air foil wing may not have a curve that causes the distance from the front of the wing to the rear of the wing to have a gap at the widest point of more than .50".
- 14.7.3. The front wing side boards must have a separation from the body side panels a min .125" inside or outside of frame rails. (Meaning the wing must be wider or skinnier than the frame rails)
- 14.7.4. The front wing may be angled, as long as the bottom of the side boards are a minimum of .50" from the frame rails or body, whichever is closest.
- 14.7.5. The lowest part of the midsection of the front wing must be mounted at least 1.50" from chassis/body.
- 14.7.6. The front wing may be a flat/Lexan style wing with only ONE main bend in it.
- 14.7.7. The flat/Lexan wing may not have a bend that causes the distance from the front of the wing to the rear of the wing to have a gap at the widest point of more than .50".
- 14.7.8. The flat/Lexan style wing may have a downward bend on the leading edge for strength; the bend may not be more than .25" back from the leading edge of wing.
- 14.7.9. The front wing must have a separation from the body side panels a min .125" inch inside or F of the frame rails. (Meaning the wing must be wider or skinnier than the frame rails)
- 14.7.10. The lowest part of the midsection of the front wing must be mounted at least 1.5" from chassis/body. An additional strengthening bend of a .25" at the front of the wing is considered in overall length, but should NOT be included for the measurement of overall .50" gap; please refer to image labeled FRONT WING for visual clarification.

FRONT WING



14.8. WICKER BILL

- 14.8.1. A wicker bill is allowed on both top and front wings but must be separate from the wing and detachable via tape or bolts.
- 14.8.2. Wickers may be constructed from any material as long as it is at a 90° angle not to exceed .50" in any direction as measured from the outside of the angle.
- 14.8.3. Wickers are to be mounted on top of the wing flush with the trailing edge and maintain a 90° angle relative to the trailing edge of the wing.
- 14.8.4. The Wicker Bill is **NOT** to be included in the overall 1.00" dimension on the top wing, nor the .50" dimension on the front wing.

14.9. BODY

14.9. BODY

- 14.9.1. The body side panels may not exceed .250" past any part of the outside parameter of the chassis. This also includes any bends that may extend past the chassis or away from the sides.
- 14.9.2. No additional air dams/diffusers or various aerodynamic devices allowed that don't follow the above wing and side panel rules.
- 14.9.3. The existing SRP Vacuum Formed side panels are allowed.

14.10. FRONT NOSE PIECE

- 14.10.1. A Front Nose Piece may be used.
- 14.10.2. The Nose piece may only have one bend in it, in the downward direction; the sides may be bent down to stay within the chassis side rails.
- 14.10.3. The nose piece may not extend more than 2.00" past the front of the chassis, same as the front bumper. (meaning nothing more than 2" in front of chassis)
- 14.10.4. The front nose piece cannot be integrated in any way with the front wing.

14.11. BUMPERS AND NERF BARS

- 14.11.1. Nerf Bars are required on both the left and right side of the car and must be scale appearing.
- 14.11.2. Nerf Bars may extend up to .75" past the outside edge of tires.
- 14.11.3. Front Bumper is recommended but not required. If used; must be scale appearing, not to exceed the width of the main frame rails, and not to extend more than 2" from the front of the main frame.
- 14.11.4. Rear Bumper is required and must be scale appearing.
- 14.11.5. If during a race the bumpers or nerf bars are damaged in an accident to the point of being a hazard to other competitors, the parts can be removed to finish the race but must be on the car as required to start the race.

14.12. CAR NUMBERS

- 14.12.1. Car numbers must appear on outside of the top wing sideboards and both sides of the tail tank.
- 14.12.2. Numbers must be a minimum of 3" high and clearly visible from the scoring stand during races.

14.13. SCORING TRANSPONDERS

- 14.13.1. Scoring transponders (personal or track transponder) must be mounted behind the center line of the front axle.

14.14. ENGINE

- 14.14.1. Must conform to all ENGINE requirements under the QSAC GENERAL SPECIFICATIONS.
- 14.14.2. Allowed Engines: Zenoah G23RC/G230RC (versions A, B & C), and G240RC.

14.15. EXHAUST

- 14.15.1. Must conform to all EXHAUST requirements under the QSAC GENERAL SPECIFICATIONS.
- 14.15.2. Stock Zenoah Mufflers only.
- 14.15.3. Tuned expansion chamber exhaust systems, "pipes", etc. are NOT allowed.
- 14.15.4. Exhaust may be redirected by use of a piece of 1.00 inch (ID) or larger hose or tube.
- 14.15.5. Hose or tube that extends past the outside perimeter of the basic chassis must be located below the top main chassis rail (not the roll cage), within the perimeter of the right and left side nerf bar, and must not extend past the rear axle.
- 14.15.6. Body panels that extend down the bottom frame rail can be trimmed to accommodate exhaust systems clearance.

14.16. CARBURETOR PLATE/MANIFOLD

- 14.16.1. Must conform to all CARBURETOR requirements; see section 8.6 CARBURETOR.
- 14.16.2. Must use a 10.5 QSAC Plate or QSAC Manifold, two gaskets, and no sealant. See sections 8.3.7, 8.3.11, 8.3.12, and 8.3.13 in ALLOWABLE ENGINE CHANGES.
- 14.16.3. The QSAC Plate or QSAC Manifold is mandatory.

14.17. CLUTCH

- 14.17.1. Must conform to all CLUTCH requirements; see section 8.8 CLUTCH.

14.18. FUEL

- 14.18.1. Gasolines only; see section 8.9 FUEL.

14.19. FUEL SYSTEM

- 14.19.1. Maximum 8 oz. capacity fuel tank and will be mounted within the perimeter of the main frame rails.
- 14.19.2. All fuel lines and filler lines must be .125" inch maximum ID.
- 14.19.3. Maximum fuel line length of 60 inches which includes a maximum of two fuel filters, fill, feed, return and vent lines. Tubing located inside the fuel tank is excluded from this measurement.

14.20. WHEELS / RIMS

- 14.20.1. All wheels / rims must be scale appearing.
- 14.20.2. Wheel Diameter (measured at the bead): All wheels must be 3.50" minimum / 4.00" maximum diameter
- 14.20.3. Wheel Width (measured at the bead):
- 14.20.4. Left Front: 2.00" minimum / 2.75" maximum width
- 14.20.5. Right Front: 2.00" minimum / 2.75" maximum width
- 14.20.6. Left Rear: 2.50" minimum / 3.00" maximum width
- 14.20.7. Right Rear: 3.00" minimum / 4.00" maximum width
- 14.20.8. Minimum 2 lugs per wheel.
- 14.20.9. Knockoff style wheels and hubs are allowed but not required.

14.21. TIRES

- 14.21.1. Sprint Cars must use the QSAC approved right front tire-bands. Approved compounds for all tires are the same as the Stock Car and Super Truck classes as described in the TIRES AND WHEELS requirements under the QSAC GENERAL SPECIFICATIONS.
- 14.21.2. Sidewall / Host Width:
 - 14.21.2.1. Left Front Host: 2.00" minimum / 3.250" maximum width
 - 14.21.2.2. Right Front Host: 2.00" minimum / 3.250" maximum width
 - 14.21.2.3. Left Rear Host: 2.50" minimum / 3.75" maximum width
 - 14.21.2.4. Right Rear Host: 3.00" minimum / 4.750" maximum width
- 14.21.3. Tread / Band Width:
 - 14.21.3.1. Left Front: 2.00" minimum / 2.75" maximum width
 - 14.21.3.2. Right Front: 2.00" minimum / 2.75" maximum width
 - 14.21.3.3. Left Rear: 2.50" minimum / 3.25" maximum width
 - 14.21.3.4. Right Rear: 3.00" minimum / 4.00" maximum width
- 14.21.4. Tire Circumference:
 - 14.21.4.1. The Right Rear tire must have a minimum circumference (rollout) of 17" before and after race. All other tires have no minimum circumference.
- 14.22. Unless otherwise listed, all requirements from the QSAC GENERAL SPECIFICATIONS apply.

15. 305 SPRINT CAR – CLASS SPECIFICATIONS

15.1. TECHNICAL SPECIFICATIONS

- 15.1.1. Unless otherwise listed below, all other specifications from **14. SPRINT CAR – CLASS SPECIFICATIONS** and **8. GENERAL SPECIFICATIONS** apply.

15.2. ENGINE, FILTER, VELOCITY STACK

- 15.2.1. G-23RC/G230RC (A, B & C), and G240RC engines with the QSAC approved air filter adapter (replaces the velocity stack) allowed - or- the stock OEM Zenoah air filter and housing.

15.3. CARBURETOR PLATE/MANIFOLD

- 15.3.1. Must use an 8.5 QSAC Plate or QSAC Manifold, two gaskets, and no sealant. See sections 8.3.7, 8.3.11, 8.3.12, and 8.3.13 within **8. ALLOWABLE ENGINE CHANGES**. The QSAC Plate or QSAC Manifold is mandatory.

- 15.4. Competitors in the 305 Sprint Car class may ONLY participate in Limited Sportsman as an additional class while remaining in the 305 Sprint Car class. Further, once leaving the 305 Sprint Car Class to progress to a "Pro class", he / she may not return to 305 Sprint Car class unless approved by the QSAC Area, Region, or District Director, and his "home track" or club.

RULES PACKAGE CHANGE RECORD:

2021-02-19

**PHASE 1: COMPLETE RE-FORMATTING OF RULES.
PLEASE COMPARE/CONTRAST WITH THE 2020 RULES PACKAGE.**

2021-05-17

8.16.6.: REMOVED WORDS "Spikes are allowed for dirt tracks only."

14.5.1.: REMOVED ENTIRE LINE "The following rules apply to both asphalt and dirt Sprint Cars."

14.6.1. and 14.6.2.: REMOVED WORDS "For dirt track sprint cars, the overall measurements for the top wing MAY BE up to 15" max x 15" max."

14.9.1.: REMOVED WORDS "The only exception would be the addition of a belt/gear guard for dirt track racing only."

14.21.2.: REMOVED ENTIRE LINE "Spike tires are allowed for dirt use only."

REASON FOR THE CHANGES: With the creation of the Dirt Track Rules Addendum, any reference to dirt track rules or specifications are either being deleted or moved to the Dirt Track Rules Addendum. This has no impact to the Rules Package with regard to asphalt rules and specifications.

9.2.17.: REMOVED ENTIRE LINE "9.2.17. The top surface of the front and rear bumpers must be at or above the wheel centerline."

REASON FOR THE CHANGE: This line was an exact duplicate of 9.2.15.

13.23.: The text in 13.23. was broken into three (3) sub-tier lines below 13.22.

REASON FOR THE CHANGE: During the initial reformatting, this was missed. There is no change to context; just a clerical change to allow the text body to be clearer to read.

14.7.10.: REMOVED ENTIRE LINE "14.7.10. The front wing may be angled, as long as the bottom of the side boards are a minimum of .50" from the frame rails or body, whichever is closest."

REASON FOR THE CHANGE: This line was an exact duplicate of 14.7.4.

2021-12-27

PHASE II: GENERAL CLEAN-UP, CLERICAL/GRAMMATICAL CLARIFICATION, RE-FORMATTING, AND OUT-DATED MATERIAL ADDRESSED FOR SECTIONS 1 THROUGH 7.

SPECIFIC ITEMS DOCUMENTED:

3.13.1. - ADDED LINE IN ITS ENTIRETY AS FURTHER DEFINITION FOR "NO SMOKING".

3.16. - THIS WAS PREVIOUSLY THE SECOND LINE IN 3.15. IN THE 2021 RULES PACKAGE. CHANGED WORDING FROM "YELLOW FLAG" TO "RED FLAG".

4.2. - CHANGED WORDING FROM "SHOULD" TO "SHALL". REFERENCE INFORMATION WAS ADDED AT THE END OF THE ORIGINAL SENTENCE REFERRING TO SECTION 6.

4.3. - REMOVED INFORMATION REFERENCING RADIO FREQUENCY REPORTING TO RACE OFFICIALS.

4.8.2. - ADDED LINE IN ITS ENTIRETY AS FURTHER CLARIFICATION WHICH ALLOWS A SPRINT CAR RACER TO LEAVE THE DRIVERS STAND TO RE-PLACE THEIR DISLODGED WING.

4.10. - REMOVED "AT THE END OF PIT ROAD BEFORE THEY ENTER THE RACING SURFACE" FROM THE ORIGINAL FIRST SENTENCE. NOTE: THIS WAS DONE TO ALLOW BRAKE CHECKS TO BE COMPLETED ON THE RACING SURFACE FOR SITUATIONS WHERE RACE CONTROL CANNOT SEE PIT LANE CLEARLY.

4.14., 4.15., AND 4.16. (ORIGINAL LINES FROM THE 2021 EDITION PRIOR TO THE RE-NUMBERING LISTED ABOVE) - THESE WERE REMOVED IN THEIR ENTIRETY. THEY REFERENCED THE USE OF A FREQUENCY CLIP.

6.1.1. - CHANGED WORDING FROM "SHOULD" TO "SHALL".

6.7.3.5. - ORIGINAL TEXT FROM THE 2021 RULES PACKAGE WAS MERGED WITH 6.8.1. AND NEW LINE 6.8.1.1

7.1 - UPDATED THE FEES CHART WITH MORE RELEVANT PRICING AND MADE THE FEES "SUGGESTED". ELIMINATED THE SECOND CHART AS IT WAS CLASS SPECIFIC REGARDING FEES.

2022-03-21

- ADDED WATERMARK TO THE DOCUMENT; NO OTHER CHANGES

2022-12-07

- UPDATED DATES THROUGHOUT THE DOCUMENT TO REFLECT THE NEW YEAR, 2023.

- UPDATED THE WATERMARK TO BE MORE TRANSLUCENT.

- UPDATED THE RULES PACKAGE PER THE PASSING OF THE RULES CHANGE PROPOSALS THAT HAD BEEN SUBMITTED ON 2022-08-01, AS WELL AS THE RULES CHANGE PROPOSAL THAT HAD BEEN SUBMITTED ON 2022-10-23. BOTH OF THESE RULES CHANGE PROPOSALS WERE SUBSTANTIAL IN THEIR CONTENT AND CHANGES; PLEASE SEE EACH PROPOSAL FOR FULL DETAILS OF WHAT CHANGED AND WHY IT CHANGED.

8.3.7.2.1. - ADDED LINE IN ITS ENTIRETY AS CLARIFICATION FOR WHICH STOCK/OEM CYLINDER GASKET IS LEGAL FOR THE G240RC.

2022-12-23

- 8.3.14. ADDED "SUPER-TRUCK" AS A CLASS THAT IS ALLOWED TO USE A VELOCITY STACK; ALSO ALPHABETIZED THE CLASS LISTINGS. REASON: BETWEEN THE 2013 AND 2014 RELEASES OF THE QSAC RULES PACKAGE, SUPER-TRUCK WAS INADVERTANTLY REMOVED AS AN ELLIGIBLE CLASS TO USE A VELOCITY STACK. THIS CHANGE CORRECTS THE CLERICAL ERROR.

2024-01-27

- UPDATED DATES THROUGHOUT THE DOCUMENT TO REFLECT THE NEW YEAR, 2024.
- ADDED 8.13.5.1. REGARDING KILL SWITCHES PER RULES CHANGE PROPOSAL #1, 2024.
- UPDATED 11.3.2. REGARDING LIMITED SPORTSMAN SPOILER ANGLE PER RULES CHANGE PROPOSAL #1, 2024.
- ADDED SECTION 15. 305 SPRINT CAR – CLASS SPECIFICATIONS IN ITS ENTIRETY PER RULES CHANGE PROPOSAL #2, 2024.
- UPDATED AND ADDED REFERENCES TO THE NEWLY ADDED 305 SPRINT CAR CLASS PER RULES CHANGE PROPOSAL #2, 2024.

QSAC USE ONLY - DO NOT COPY